



PRODUCT SPECIFICATION SHEET

ATLANTA SERIES

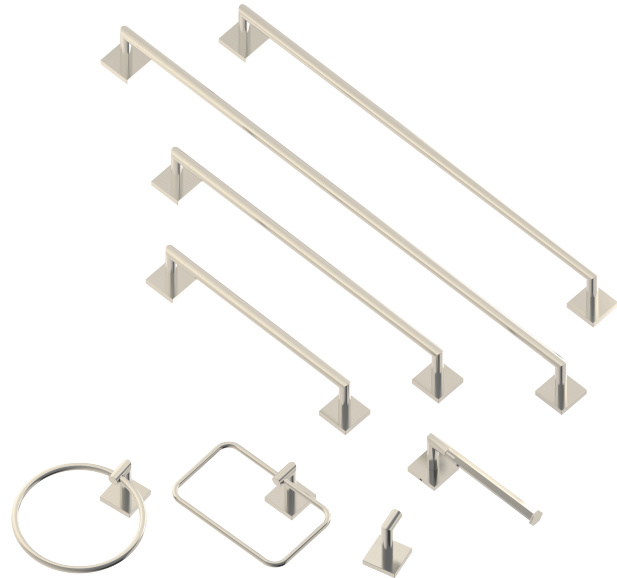
MBRUSHED NICKEL (BN)

MATERIAL: ZINC
STAINLESS STEEL 304

KEY FEATURES: MODERN DESIGN
ZINC+STEEL COMPOSITION
CAST BACKINGS
WALL MOUNTED

AVAILABLE FINISHES:

- POLISHED CHROME (PC)
- BRUSHED NICKEL (BN)
- MATTE BLACK (MB)



Product Code	Name	Finishes	Sizes (mm)			Sizes (Inche)		
			Length	Width	Height	Length	Width	Height
ATL-TB12	ATL-12 Towel Bar	PC, BN, MB	352	47	73	13 7/8	1 7/8	2 7/8
ATL-TB18	ATL-18 Towel Bar	PC, BN, MB	504	47	73	19 7/8	1 7/8	2 7/8
ATL-TB24	ATL-24 Towel Bar	PC, BN, MB	657	47	73	25 7/8	1 7/8	2 7/8
ATL-TB30	ATL-30 Towel Bar	PC, BN, MB	809	47	73	31 7/8	1 7/8	2 7/8
ATL-RH-1	ATL-Robe Hook	PC, BN, MB	51	47	73	2	1 7/8	2 7/8
ATL-TPEURO	ATL-Tissue Holder	PC, BN, MB	170	47	73	6 3/4	1 7/8	2 7/8
ATL-TRRD	ATL-Towel Ring	PC, BN, MB	173	209	73	6 7/8	8 1/4	2 7/8
ATL-TRSQ	ATL-Towel Ring	PC, BN, MB	190	166	73	7 1/2	6 1/2	2 7/8

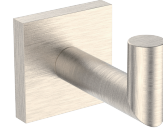
NOTE: Dimensions and specifications are subject to change without notice.



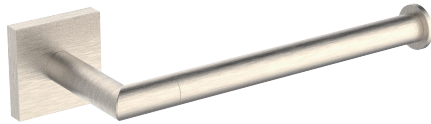
12"/18"/24"/30" Towel Bar
ATL-TB12/TB18/TB24/TB30-BN



Robe Hook
ATL-RH-1-BN



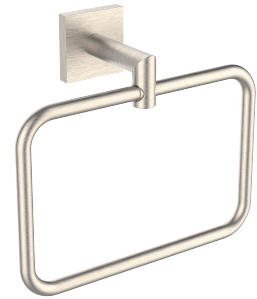
Tissue Holder
ATL-TPEURO-BN



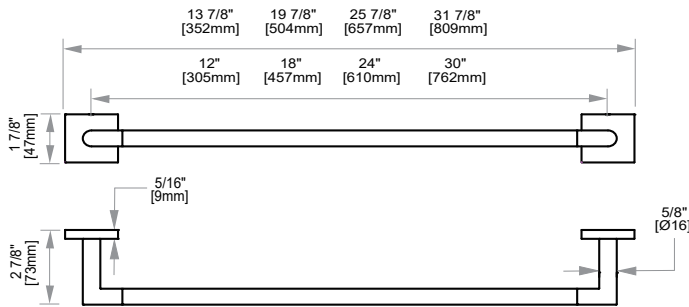
Towel Ring
ATL-TRRD-BN



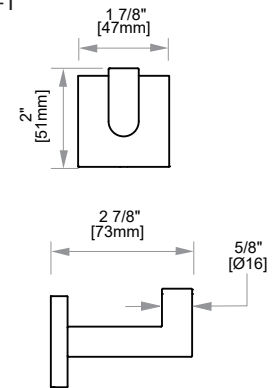
Towel Ring
ATL-TRSQ-BN



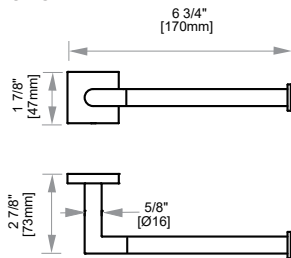
12"/18"/24"/30" Towel Bar
ATL-TB12/TB18/TB24/TB30



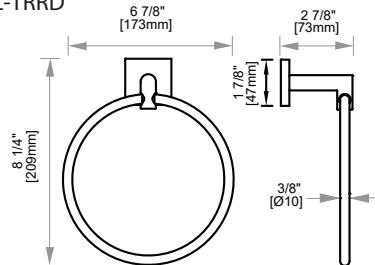
Robe Hook
ATL-RH-1



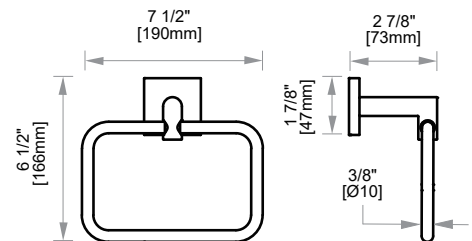
Tissue Holder
ATL-TPEURO



Towel Ring
ATL-TRRD



Towel Ring
ATL-TRSQ



NOTE: Dimensions and specifications are subject to change without notice.