



### PRODUCT SPECIFICATION SHEET

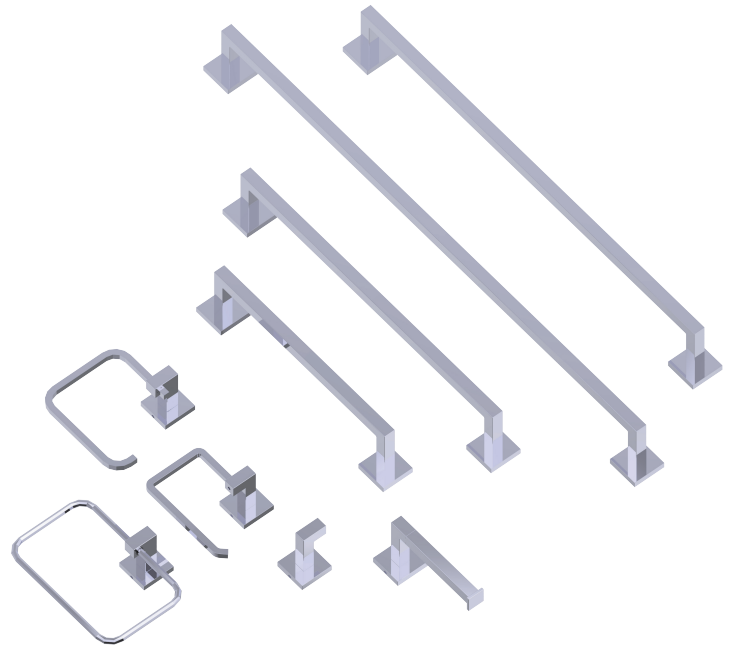
# BOSTON SERIES

## POLISHED CHROME (PC)

**MATERIAL:** ZINC  
STAINLESS STEEL 304

**KEY FEATURES:** MODERN DESIGN  
ZINC+STEEL COMPOSITION  
CAST BACKINGS  
WALL MOUNTED

**AVAILABLE FINISHES:**  POLISHED CHROME (PC)  
 BRUSHED NICKEL (BN)

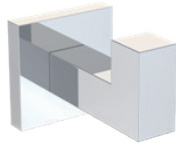


Product Code	Name	Finishes	Sizes (mm)			Sizes (Inche)		
			Length	Width	Height	Length	Width	Height
BOS-TB12	BOS-12 Towel Bar	PC, BN	352	47	84	13 7/8	1 7/8	3 3/8
BOS-TB18	BOS-18 Towel Bar	PC, BN	504	47	84	19 7/8	1 7/8	3 3/8
BOS-TB24	BOS-24 Towel Bar	PC, BN	657	47	84	25 7/8	1 7/8	3 3/8
BOS-TB30	BOS-30 Towel Bar	PC, BN	809	47	84	31 7/8	1 7/8	3 3/8
BOS-RH-1	BOS-Robe Hook	PC, BN	50	47	71	2	1 7/8	2 3/4
BOS-TRRT	BOS-Towel Ring	PC, BN	190	158	71	7 1/2	6 1/4	2 3/4
BOS-TPEURO	BOS-Tissue Holder	PC, BN	165	47	84	6 1/2	1 7/8	3 3/8
BOS-TPDROP	BOS-Tissue Holder	PC, BN	148	127	71	5 7/8	5	2 3/4
BOS-TRSQ	BOS-Towel Ring	PC, BN	148	186	71	5 7/8	7 3/8	2 3/4

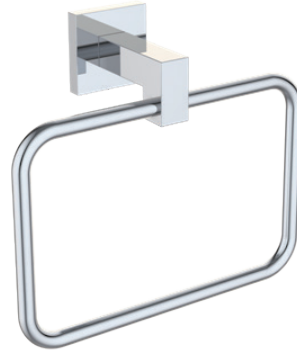
NOTE: Dimensions and specifications are subject to change without notice.



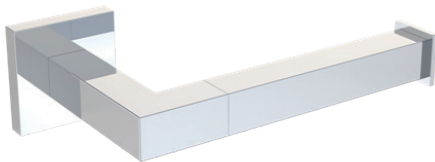
12"/18"/24"/30" Towel Bar  
BOS-TB12/TB18/TB24/TB30-PC



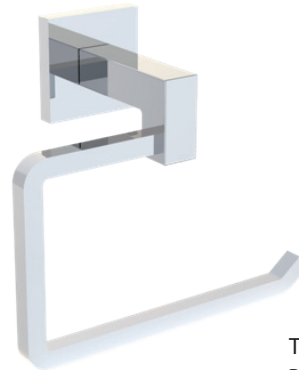
Robe Hook  
BOS-RH-1-PC



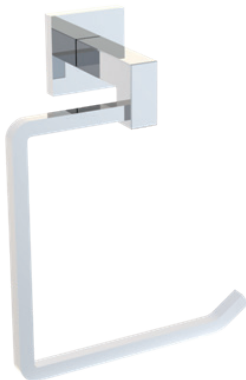
Towel Ring  
BOS-TRRT-PC



Tissue Holder  
BOS-TPEURO-PC



Tissue Holder  
BOS-TPDROP-PC

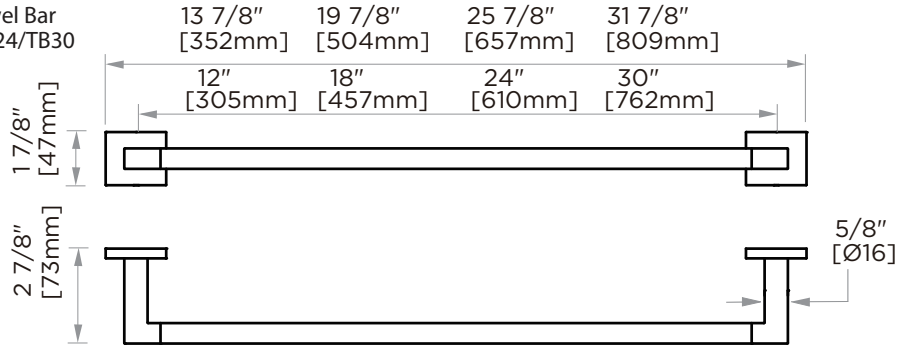


Towel Ring  
BOS-TRSQ-PC

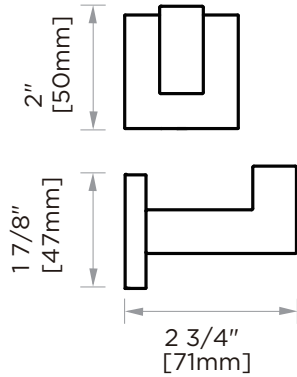
NOTE: Dimensions and specifications are subject to change without notice.



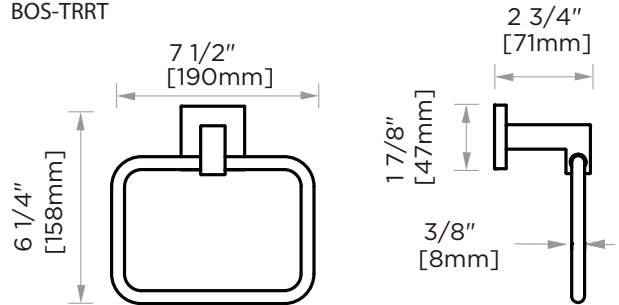
12"/18"/24"/30" Towel Bar  
BOS-TB12/TB18/TB24/TB30



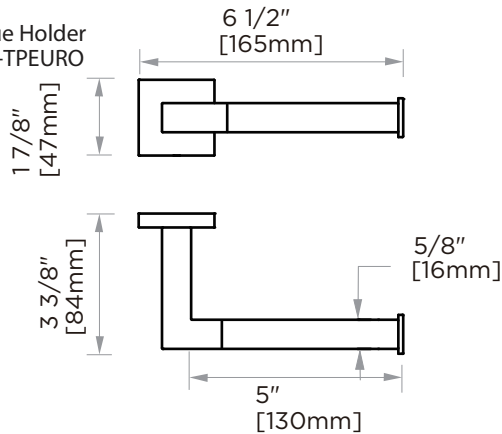
Robe Hook  
BOS-RH-1



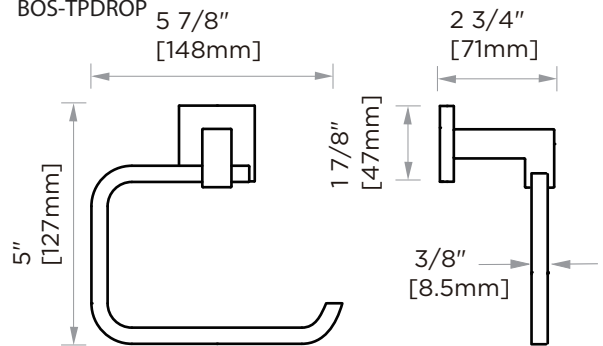
Towel Ring  
BOS-TRRT



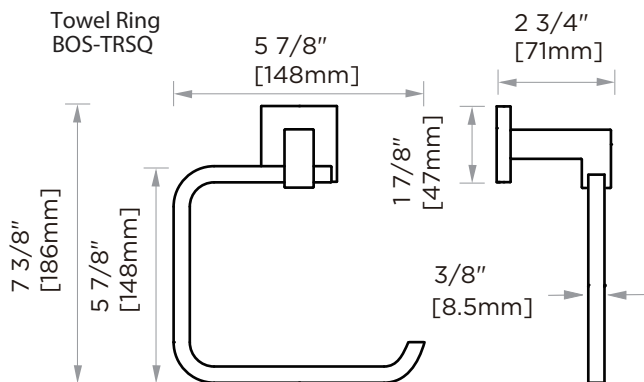
Tissue Holder  
BOS-TPEURO



Tissue Holder  
BOS-TPDROP



Towel Ring  
BOS-TRSQ



NOTE: Dimensions and specifications are subject to change without notice.