



PRODUCT SPECIFICATION SHEET

CHICAGO SERIES

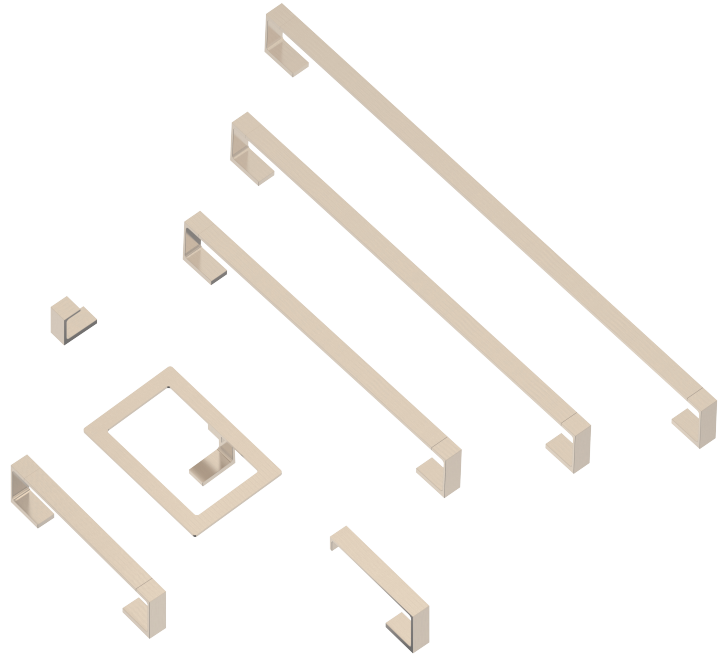
BRUSHED NICKEL (BN)

MATERIAL: ZINC
STAINLESS STEEL 304

KEY FEATURES: MODERN DESIGN
ZINC+STEEL COMPOSITION
CAST BACKINGS
WALL MOUNTED

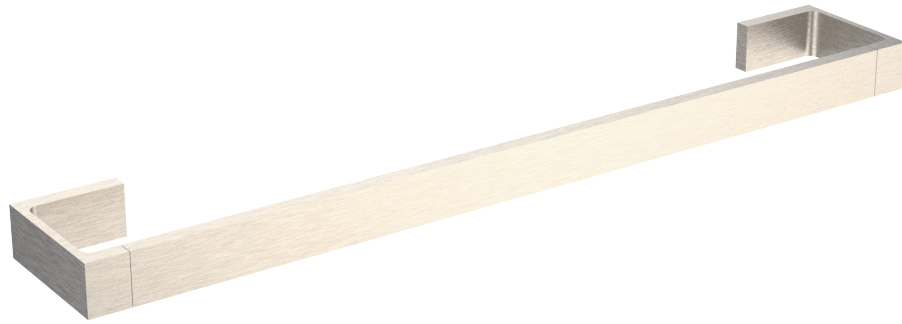
AVAILABLE FINISHES:

- POLISHED CHROME (PC)
- BRUSHED NICKEL (BN)
- MATTE BLACK (MB)

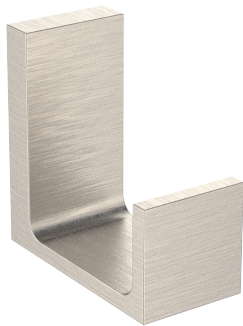


Product Code	Name	Finishes	Sizes (mm)			Sizes (Inches)		
			Length	Width	Height	Length	Width	Height
ORD - TB18	ORD -18 Towel Bar	PC, BN, MB	457	25	72	18	1	2 7/8
ORD - TB24	ORD -24 Towel Bar	PC, BN, MB	600	25	72	24	1	2 7/8
ORD - TB30	ORD -30 Towel Bar	PC, BN, MB	760	25	72	30	1	2 7/8
ORD - RH-1	ORD -Robe Hook	PC, BN, MB	50	25	50	2	1	2
ORD - TPEURO	ORD -Tissue Holder	PC, BN, MB	150	25	72	5 7/8	1	2 7/8
ORD - TRRD	ORD -Towel Ring	PC, BN, MB	254	25	72	10	1	2 7/8
ORD - TRSQ	ORD -Towel Ring	PC, BN, MB	200	135	78	7 7/8	5 1/4	3 1/8

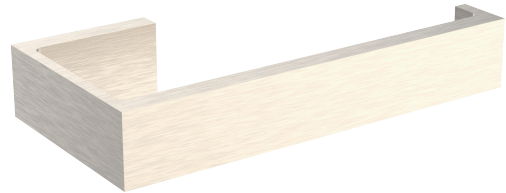
NOTE: Dimensions and specifications are subject to change without notice.



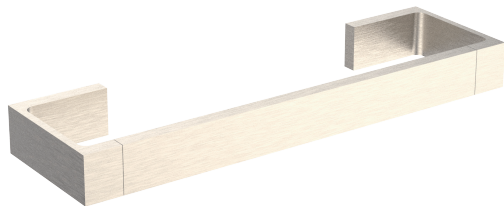
18"/24"/30" Towel Bar
ORD-TB18/TB24/TB30-BN



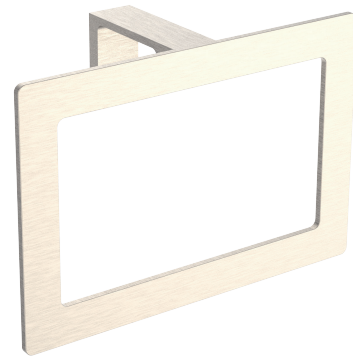
Robe Hook
ORD-RH-1-BN



Tissue Holder
ORD-TPEURO-BN



Towel Ring
ORD-TRRD-BN

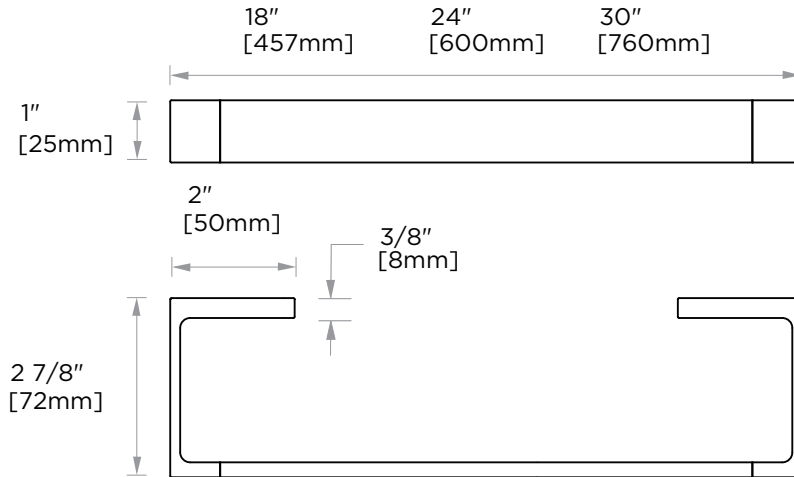


Towel Ring
ORD-TRSQ-BN

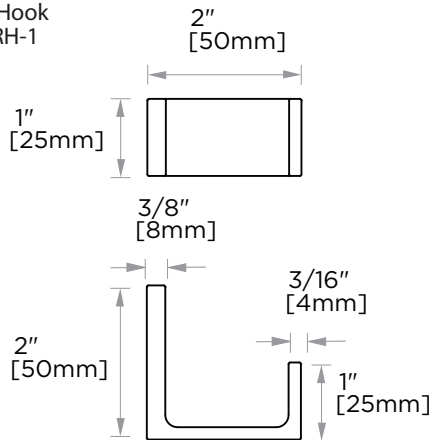
NOTE: Dimensions and specifications are subject to change without notice.



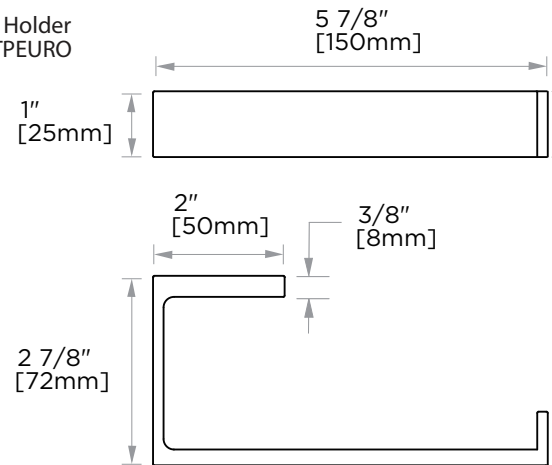
18"/24"/30" Towel Bar
ORD-TB18/TB24/TB30



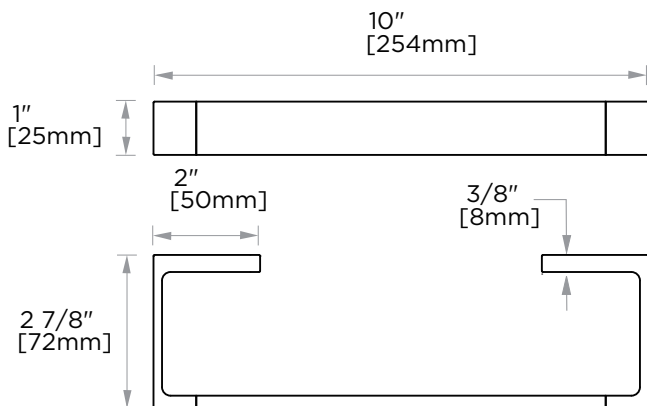
Robe Hook
ORD-RH-1



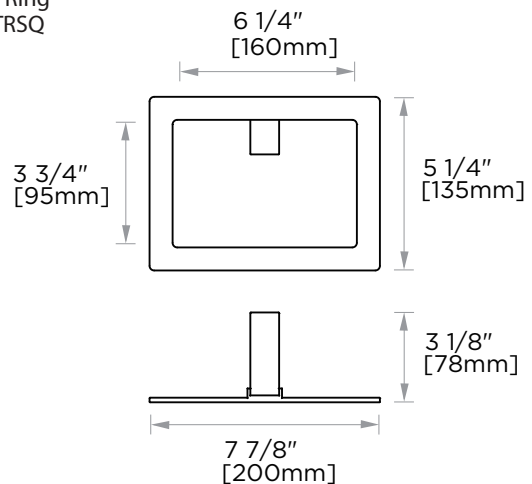
Tissue Holder
ORD-TPEURO



Towel Ring
ORD-TRRD



Towel Ring
ORD-TRSQ



NOTE: Dimensions and specifications are subject to change without notice.