



### PRODUCT SPECIFICATION SHEET

# CHICAGO SERIES

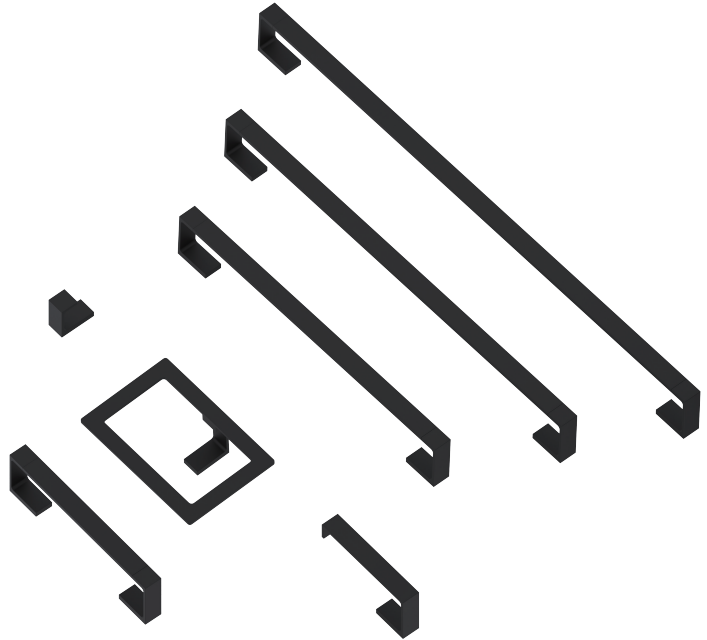
## MATTE BLACK (MB)

**MATERIAL:** ZINC  
STAINLESS STEEL 304

**KEY FEATURES:** MODERN DESIGN  
ZINC+STEEL COMPOSITION  
CAST BACKINGS  
WALL MOUNTED

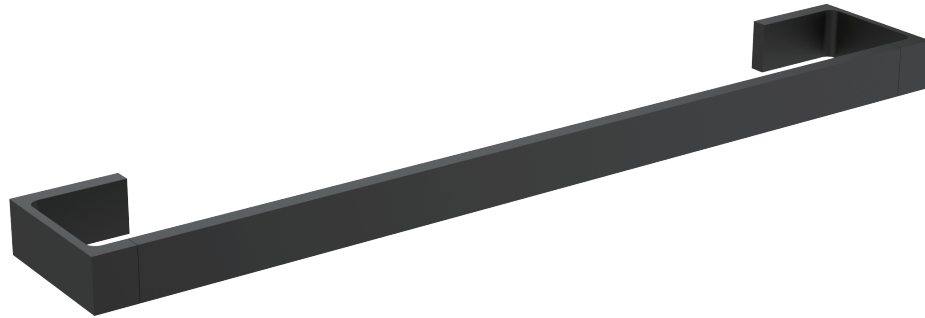
**AVAILABLE FINISHES:**

- POLISHED CHROME (PC)
- BRUSHED NICKEL (BN)
- MATTE BLACK (MB)



Product Code	Name	Finishes	Sizes (mm)			Sizes (Inches)		
			Length	Width	Height	Length	Width	Height
ORD - TB18	ORD-18 Towel Bar	PC, BN, MB	457	25	72	18	1	2 7/8
ORD - TB24	ORD-24 Towel Bar	PC, BN, MB	600	25	72	24	1	2 7/8
ORD - TB30	ORD-30 Towel Bar	PC, BN, MB	760	25	72	30	1	2 7/8
ORD - RH-1	ORD-Robe Hook	PC, BN, MB	50	25	50	2	1	2
ORD - TPEURO	ORD-Tissue Holder	PC, BN, MB	150	25	72	5 7/8	1	2 7/8
ORD - TRRD	ORD-Towel Ring	PC, BN, MB	254	25	72	10	1	2 7/8
ORD - TRSQ	ORD-Towel Ring	PC, BN, MB	200	135	78	7 7/8	5 1/4	3 1/8

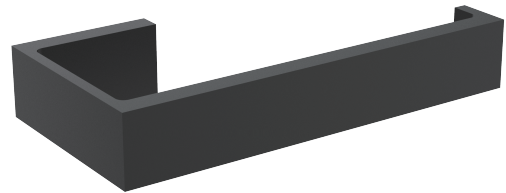
NOTE: Dimensions and specifications are subject to change without notice.



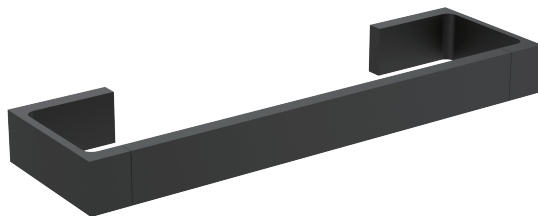
18"/24"/30" Towel Bar  
ORD-TB18/TB24/TB30-MB



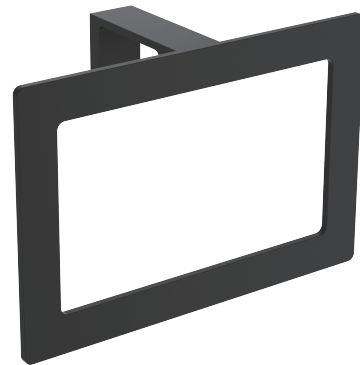
Robe Hook  
ORD-RH-1-MB



Tissue Holder  
ORD-TPEURO-MB



Towel Ring  
ORD-TRRD-MB

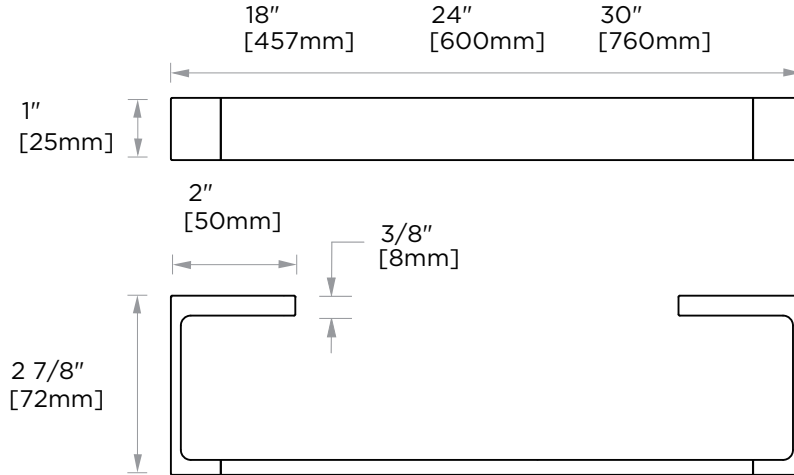


Towel Ring  
ORD-TRSQ-MB

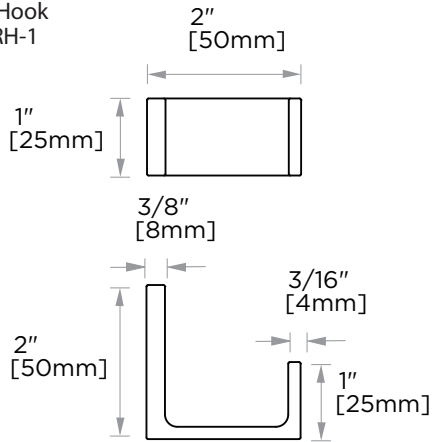
NOTE: Dimensions and specifications are subject to change without notice.



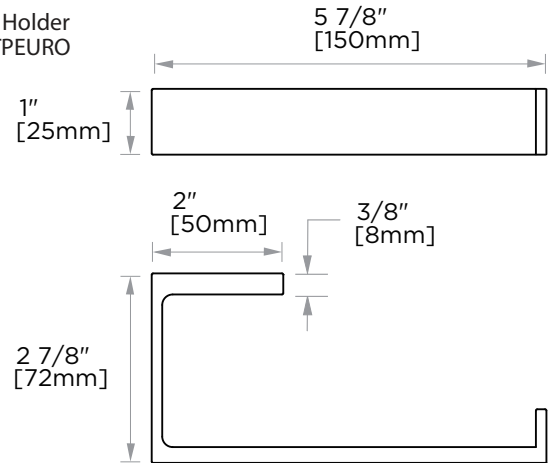
18"/24"/30" Towel Bar  
ORD-TB18/TB24/TB30



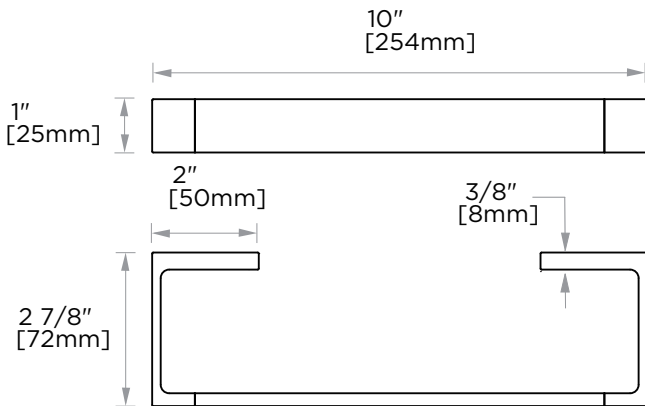
Robe Hook  
ORD-RH-1



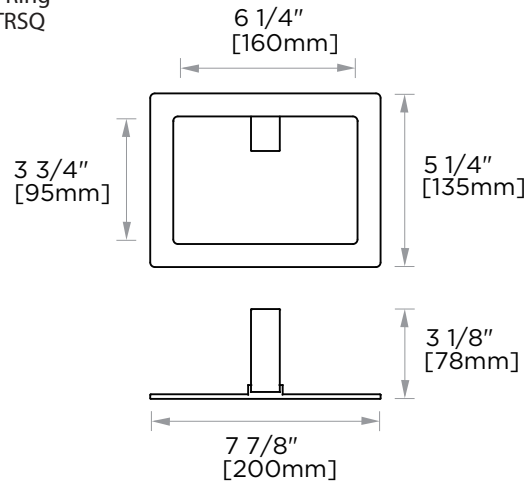
Tissue Holder  
ORD-TPEURO



Towel Ring  
ORD-TRRD



Towel Ring  
ORD-TRSQ



NOTE: Dimensions and specifications are subject to change without notice.