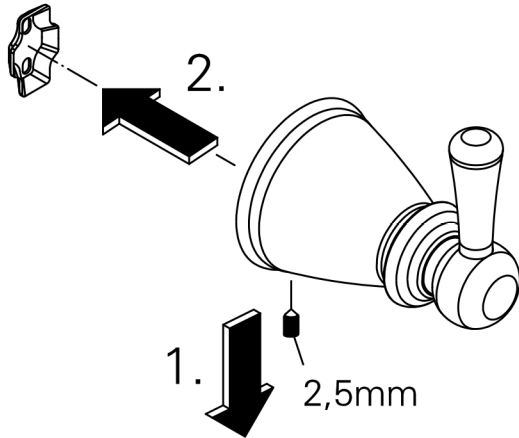
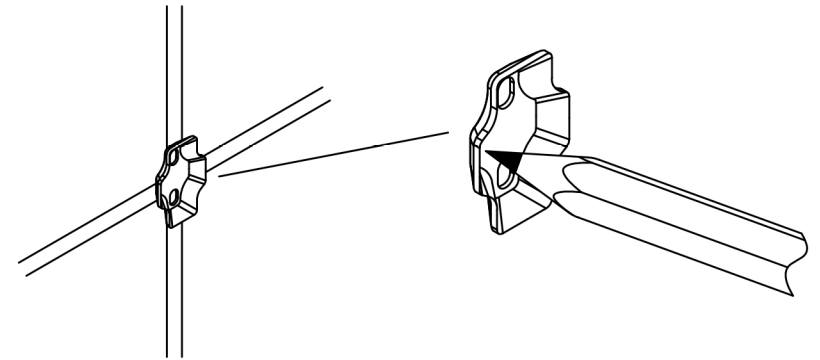


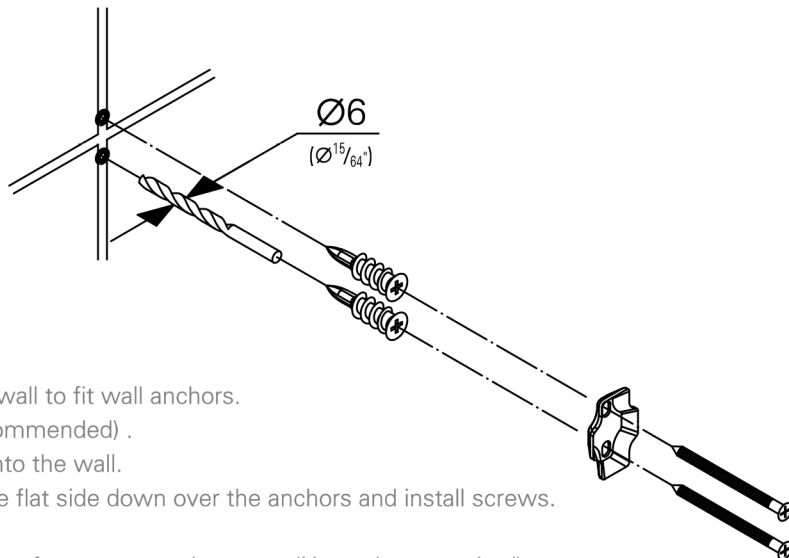
## Sydney installation instructions



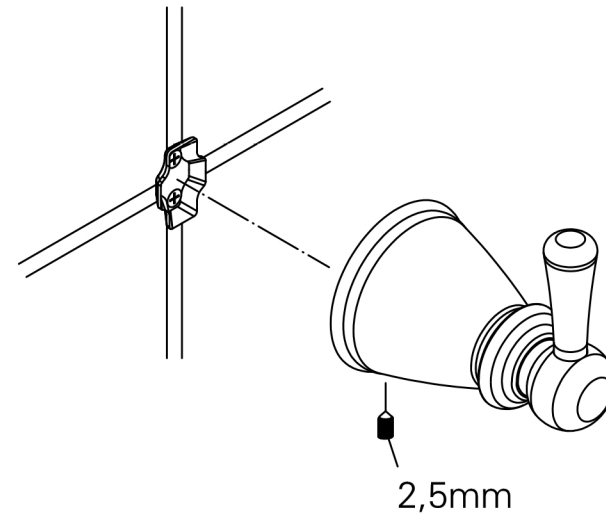
**Figure 1.**  
Loosen the set screw on the accessory and remove the backing plate.  
Position the accessory against the wall and mark outline with pencil.



**Figure 2.**  
Position the backing plate flat side down on the wall and mark holes with pencil.

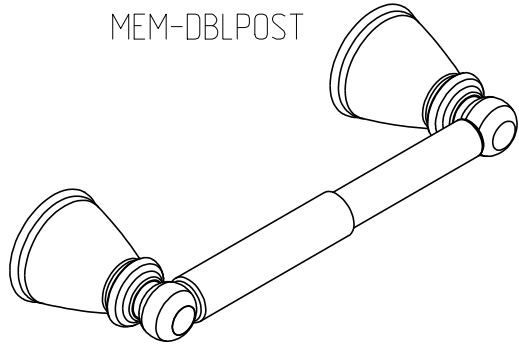


**Figure 3.**  
**Mount to drywall**  
Predrill holes on the wall to fit wall anchors.  
(15/64" Drill bit recommended).  
Insert wall anchors into the wall.  
Position backing plate flat side down over the anchors and install screws.  
**Mount to wood**  
If installing on wood surface, use wood screws. (No anchors required).

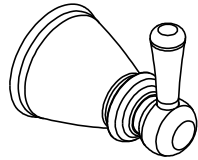


**Figure 4.**  
Slide the accessory onto the backing plate and tighten the set screw using Allen key provided.

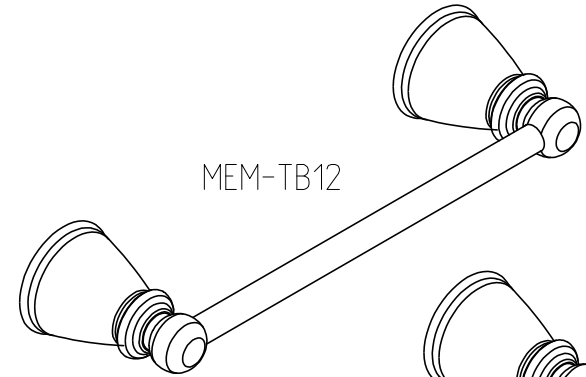
MEM-DBLPOST



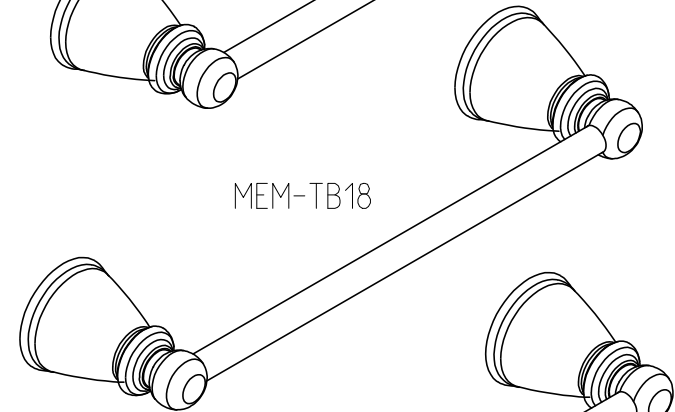
MEM-RH-1



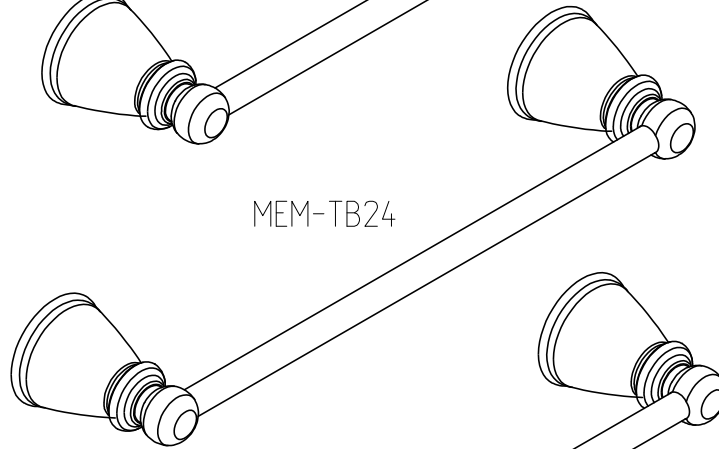
MEM-TB12



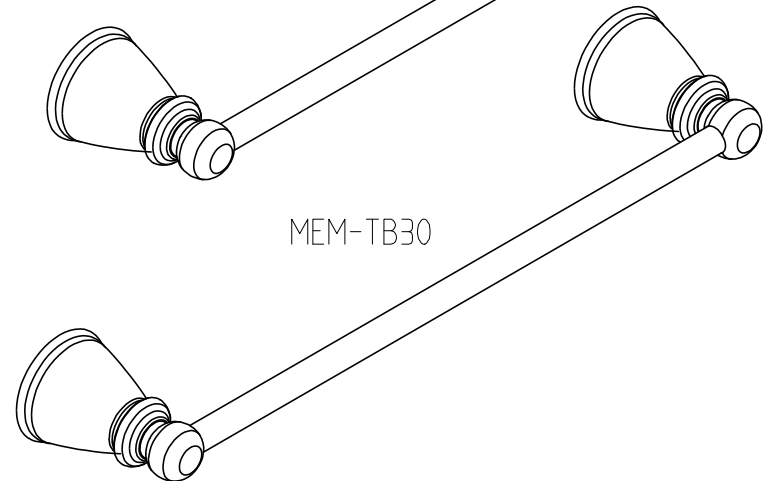
MEM-TB18



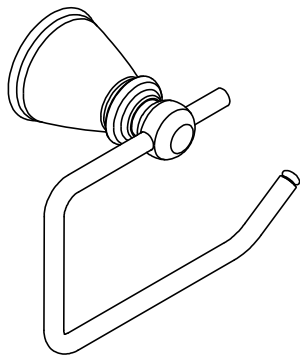
MEM-TB24



MEM-TB30



MEM-TPDROP



MEM-TRRD

