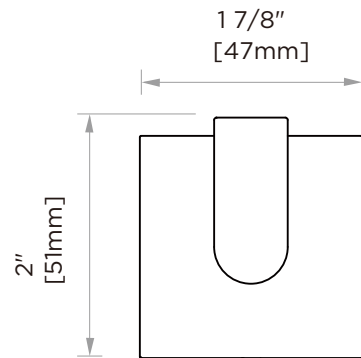
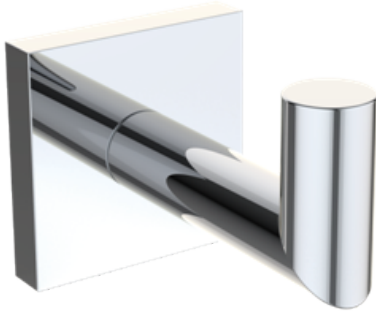




PRODUCT SPECIFICATION SHEET

ATLANTA ROBE HOOK

ATL-RH-1



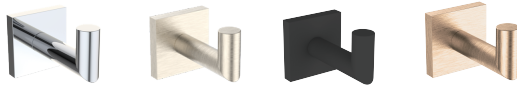
PRODUCT NAME: ATLANTA ROBE HOOK

PRODUCT CODE: ATL-RH-1

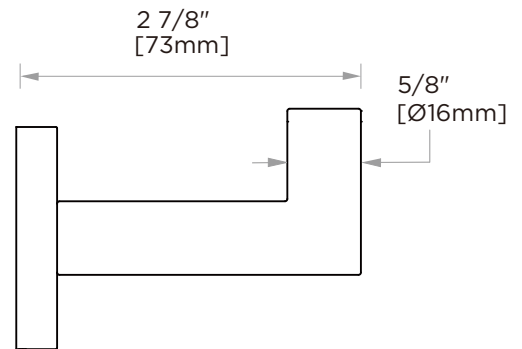
MATERIAL: ZINC
STAINLESS STEEL 304

KEY FEATURES: MODERN DESIGN
ZINC+STEEL COMPOSITION
CAST BACKINGS
WALL MOUNTED

**AVAILABLE
FINISHES:**



-  POLISHED CHROME (PC)
-  BRUSHED NICKEL (BN)
-  MATTE BLACK (MB)
-  PROSECCO BRONZE (PB)



NOTE: Dimensions and specifications are subject to change without notice.