



PRODUCT SPECIFICATION SHEET

**ATLANTA TOWEL RING**

ATL-TRRD

**PRODUCT NAME:** ATLANTA TOWEL RING

**PRODUCT CODE:** ATL-TRRD

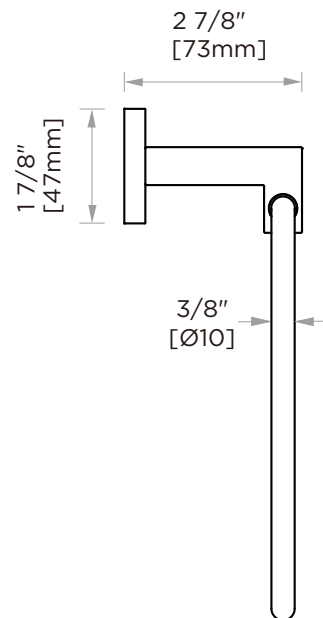
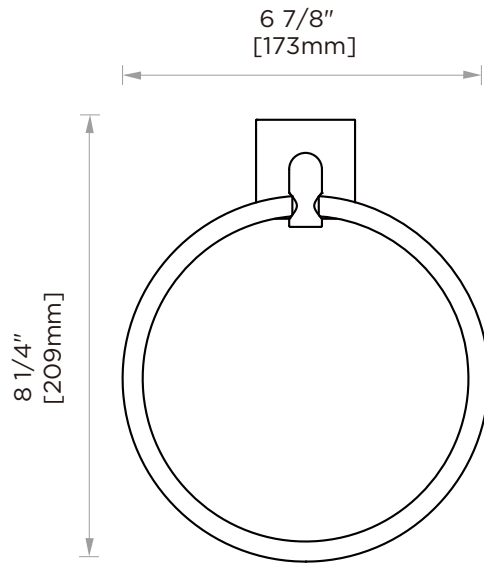
**MATERIAL:** ZINC  
STAINLESS STEEL 304

**KEY FEATURES:** MODERN DESIGN  
ZINC+STEEL COMPOSITION  
CAST BACKINGS  
WALL MOUNTED

**AVAILABLE FINISHES:**



-  POLISHED CHROME (PC)
-  BRUSHED NICKEL (BN)
-  MATTE BLACK (MB)
-  PROSECCO BRONZE (PB)



NOTE: Dimensions and specifications are subject to change without notice.