



PRODUCT SPECIFICATION SHEET

ATLANTA TOWEL RING

ATL-TRRD

PRODUCT NAME: ATLANTA TOWEL RING

PRODUCT CODE: ATL-TRRD

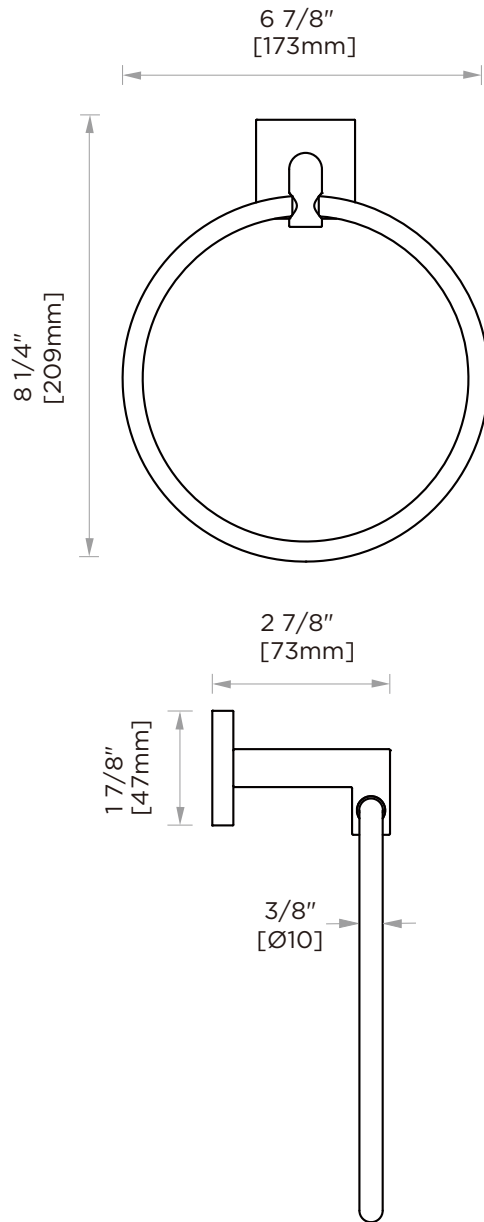
MATERIAL: ZINC
STAINLESS STEEL 304

KEY FEATURES: MODERN DESIGN
ZINC+STEEL COMPOSITION
CAST BACKINGS
WALL MOUNTED

AVAILABLE FINISHES:



- POLISHED CHROME (PC)
- BRUSHED NICKEL (BN)
- MATTE BLACK (MB)



NOTE: Dimensions and specifications are subject to change without notice.