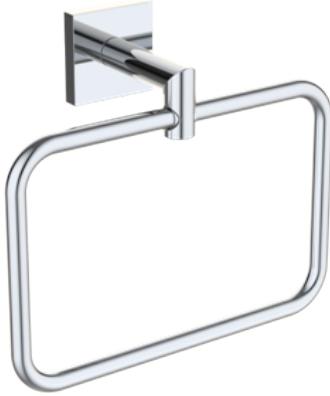




PRODUCT SPECIFICATION SHEET

**ATLANTA TOWEL RING**

ATL-TRSQ



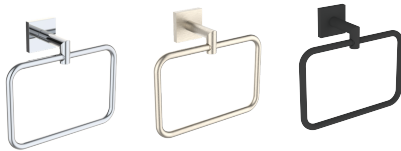
**PRODUCT NAME:** ATLANTA TOWEL RING

**PRODUCT CODE:** ATL-TRSQ

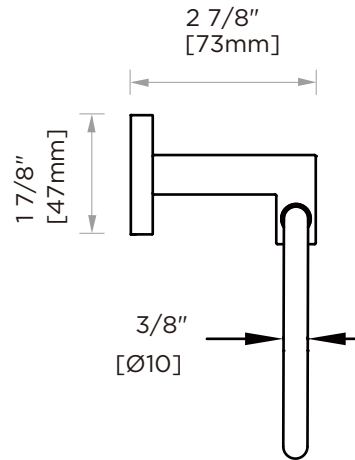
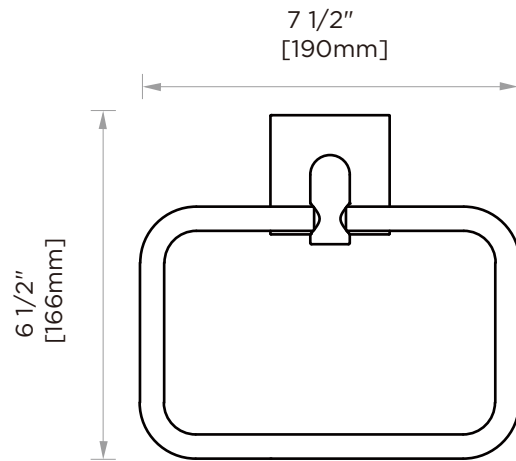
**MATERIAL:** ZINC  
STAINLESS STEEL 304

**KEY FEATURES:** MODERN DESIGN  
ZINC+STEEL COMPOSITION  
CAST BACKINGS  
WALL MOUNTED

**AVAILABLE  
FINISHES:**



- POLISHED CHROME (PC)
- BRUSHED NICKEL (BN)
- MATTE BLACK (MB)



NOTE: Dimensions and specifications are subject to change without notice.