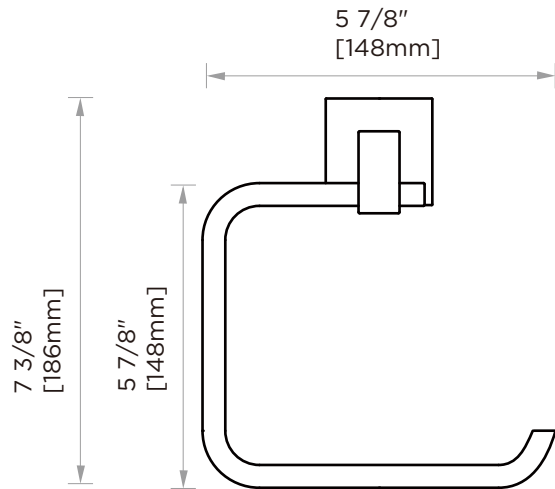
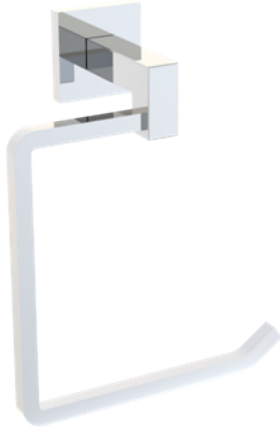




PRODUCT SPECIFICATION SHEET

**BOSTON TOWEL RING**

BOS-TRSQ



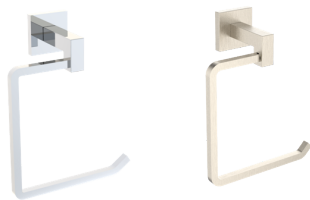
**PRODUCT NAME:** BOSTON TOWEL RING

**PRODUCT CODE:** BOS-TRSQ

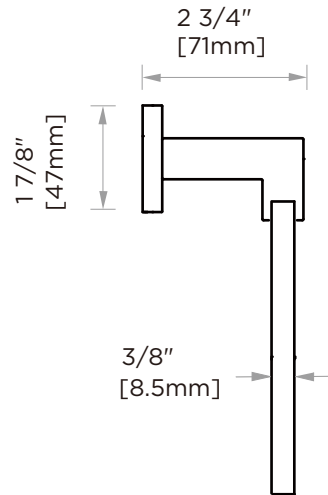
**MATERIAL:** ZINC  
STAINLESS STEEL 304

**KEY FEATURES:** MODERN DESIGN  
ZINC+STEEL COMPOSITION  
CAST BACKINGS  
WALL MOUNTED

**AVAILABLE FINISHES:**



- POLISHED CHROME (PC)
- BRUSHED NICKEL (BN)



NOTE: Dimensions and specifications are subject to change without notice.