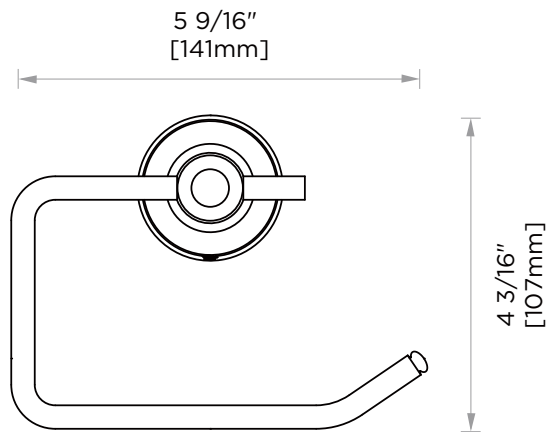




PRODUCT SPECIFICATION SHEET

MEMPHIS TOWEL RING

MEM-TPDROP



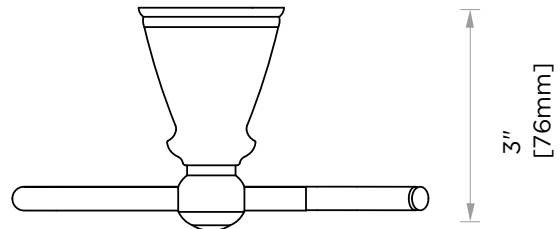
PRODUCT NAME: MEMPHIS TOWEL RING

PRODUCT CODE: MEM-TPDROP

MATERIAL: ZINC
STAINLESS STEEL 304

KEY FEATURES: MODERN DESIGN
ZINC+STEEL COMPOSITION
CAST BACKINGS
WALL MOUNTED

**AVAILABLE
FINISHES:**



POLISHED CHROME (PC)

NOTE: Dimensions and specifications are subject to change without notice.