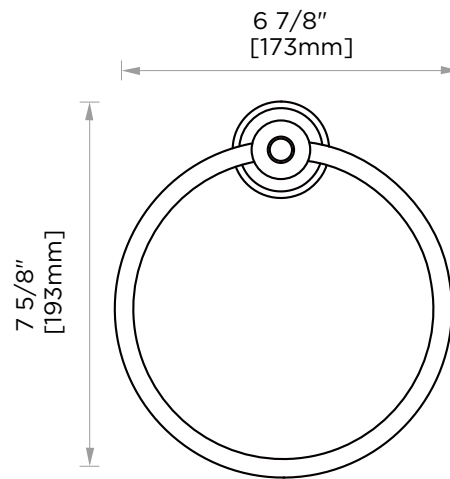




PRODUCT SPECIFICATION SHEET

# MEMPHIS TOWEL HRING

MEM-TRRD



**PRODUCT NAME:** MEMPHIS TOWEL RING

**PRODUCT CODE:** MEM-TRRD

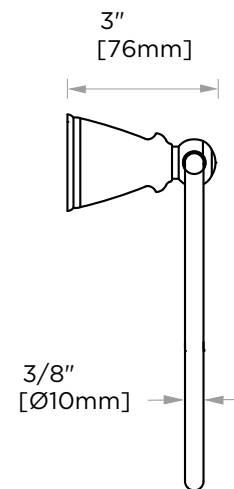
**MATERIAL:** ZINC  
STAINLESS STEEL 304

**KEY FEATURES:** MODERN DESIGN  
ZINC+STEEL COMPOSITION  
CAST BACKINGS  
WALL MOUNTED

**AVAILABLE  
FINISHES:**



POLISHED CHROME (PC)



NOTE: Dimensions and specifications are subject to change without notice.