

PRODUCT SPECIFICATION SHEET

# TOWEL RACK SERIES

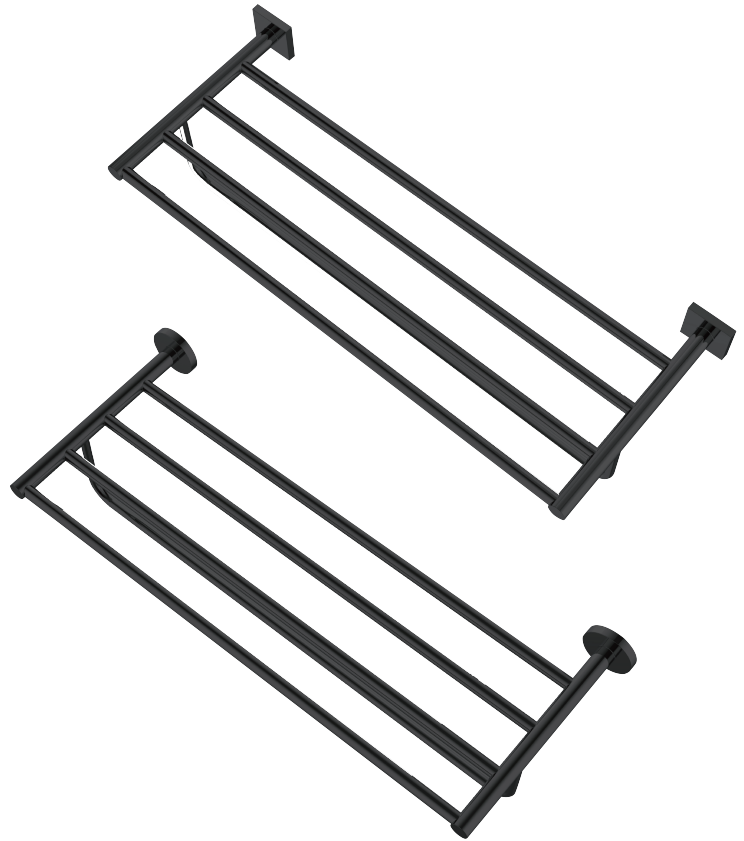
## MATTE BLACK (MB)

**MATERIAL:** ZINC  
STAINLESS STEEL 304

**KEY FEATURES:** MODERN DESIGN  
ZINC+STEEL COMPOSITION  
CAST BACKINGS  
WALL MOUNTED

**AVAILABLE FINISHES:**

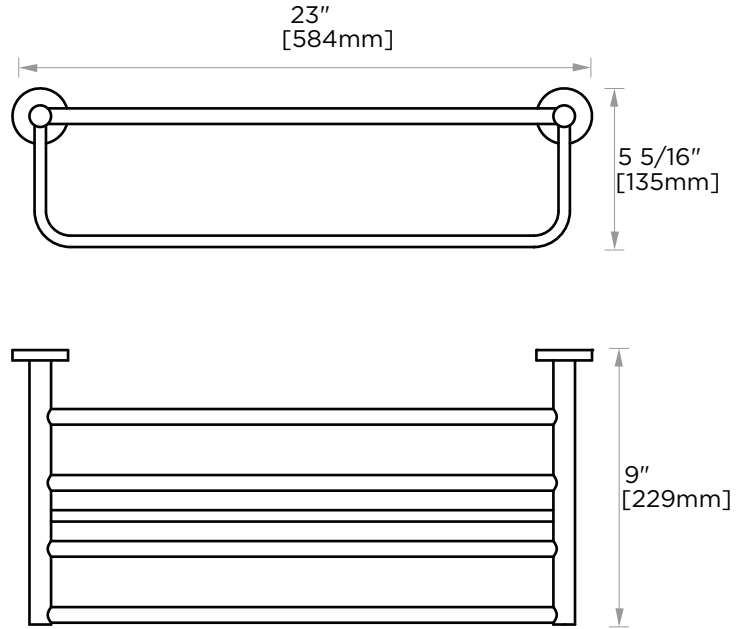
- POLISHED CHROME (PC)
- BRUSHED NICKEL (BN)
- MATTE BLACK (MB)



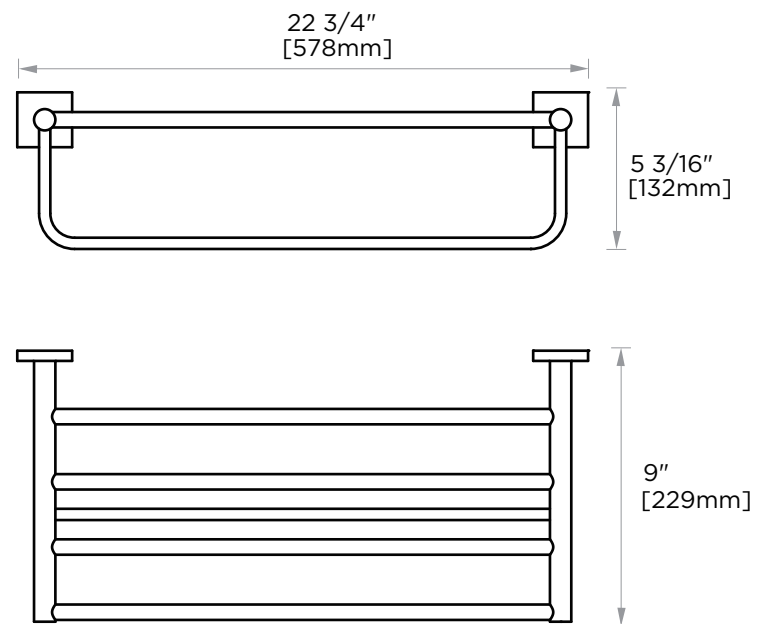
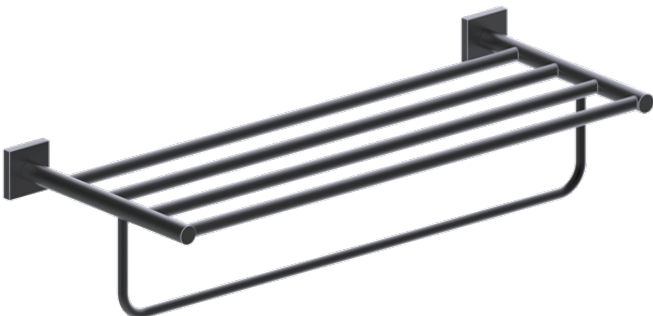
Product Code	Name	Finishes	Sizes (mm)			Sizes (Inches)		
			Length	Width	Height	Length	Width	Height
SYD - TR-R	Towel Rack	PC, BN, MB	584	135	229	23	5 5/16	9
SYD - TR-S	Towel Rack	PC, BN, MB	578	132	229	22 3/4	5 3/16	3

NOTE: Dimensions and specifications are subject to change without notice.

Towel Rack  
SYD-TR-R-MB



Towel Rack  
SYD-TR-S-MB



NOTE: Dimensions and specifications are subject to change without notice.