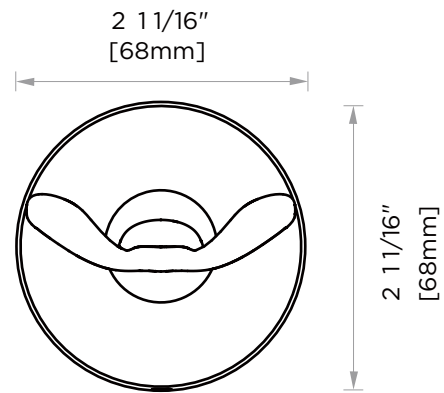




### PRODUCT SPECIFICATION SHEET

# TUSCON ROBE HOOK

## TUS-RH-1



**PRODUCT NAME:** TUSCON ROBE HOOK

**PRODUCT CODE:** TUS-RH-1

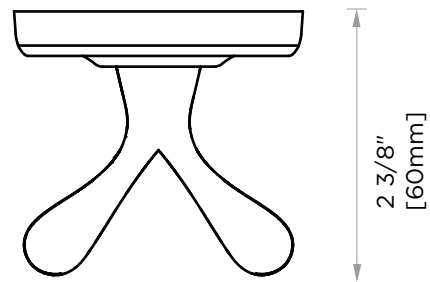
**MATERIAL:** ZINC  
STAINLESS STEEL 304

**KEY FEATURES:** MODERN DESIGN  
ZINC+STEEL COMPOSITION  
CAST BACKINGS  
WALL MOUNTED

**AVAILABLE FINISHES:**



- POLISHED CHROME (PC)
- POLISHED NICKEL (PN)
- OIL RUBBED BRONZE (ORB)



NOTE: Dimensions and specifications are subject to change without notice.