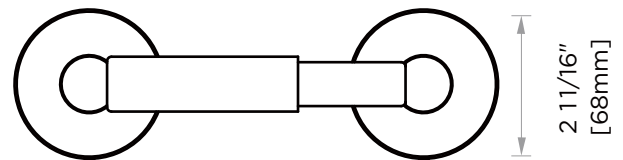
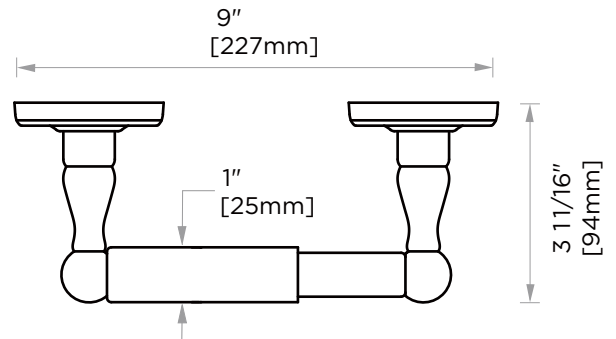




PRODUCT SPECIFICATION SHEET

TUSCON TISSUE HOLDER

TUS-TDBLPOST



PRODUCT NAME: TUSCON TISSUE HOLDER

PRODUCT CODE: TUS-DBLPOST

MATERIAL: ZINC
STAINLESS STEEL 304

KEY FEATURES: MODERN DESIGN
ZINC+STEEL COMPOSITION
CAST BACKINGS
WALL MOUNTED

**AVAILABLE
FINISHES:**



- POLISHED CHROME (PC)
- POLISHED NICKEL (PN)
- OIL RUBBED BRONZE (ORB)

NOTE: Dimensions and specifications are subject to change without notice.