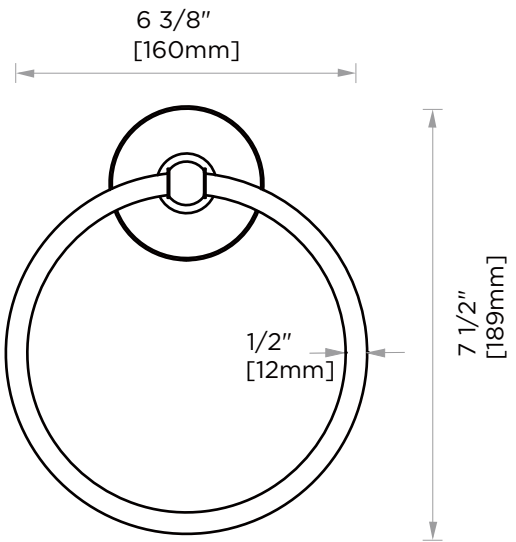




PRODUCT SPECIFICATION SHEET

TUSCON TOWEL RING

TUS-TRRD



PRODUCT NAME: TUSCON TOWEL RING

PRODUCT CODE: TUS-TRRD

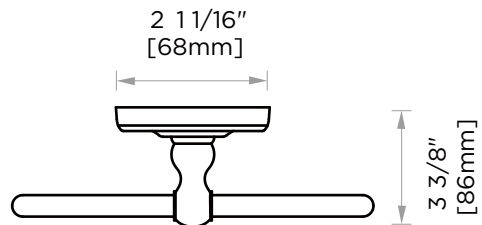
MATERIAL: ZINC
STAINLESS STEEL 304

KEY FEATURES: MODERN DESIGN
ZINC+STEEL COMPOSITION
CAST BACKINGS
WALL MOUNTED

AVAILABLE FINISHES:



- POLISHED CHROME (PC)
- POLISHED NICKEL (PN)
- OIL RUBBED BRONZE (ORB)



NOTE: Dimensions and specifications are subject to change without notice.