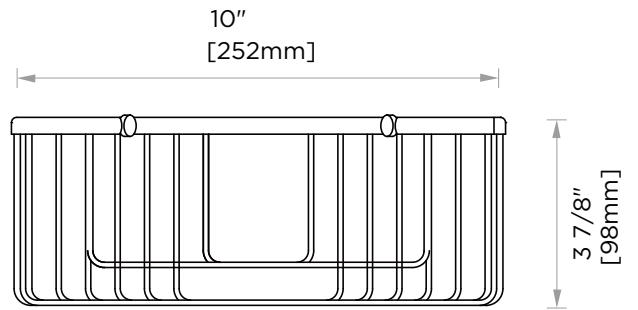
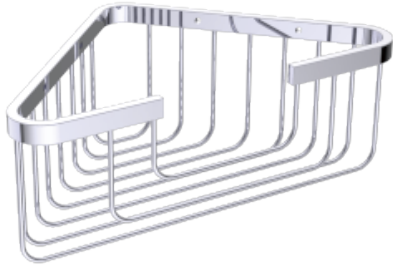


PRODUCT SPECIFICATION SHEET

WIRE BASKET

SYD-WB-2



PRODUCT NAME: WIRE BASKET

PRODUCT CODE: SYD-WB-2

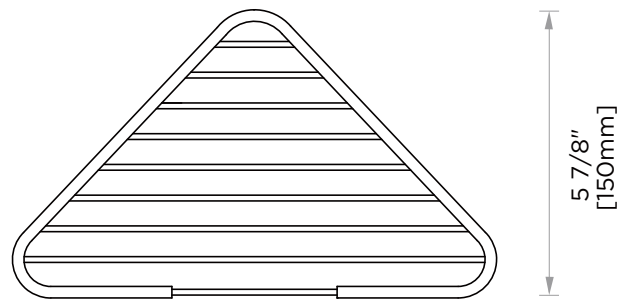
MATERIAL: ZINC
STAINLESS STEEL 304

KEY FEATURES: MODERN DESIGN
ZINC+STEEL COMPOSITION
CAST BACKINGS
WALL MOUNTED

**AVAILABLE
FINISHES:**



- POLISHED CHROME (PC)
- BRUSHED NICKEL (BN)
- MATTE BLACK (MB)



NOTE: Dimensions and specifications are subject to change without notice.