

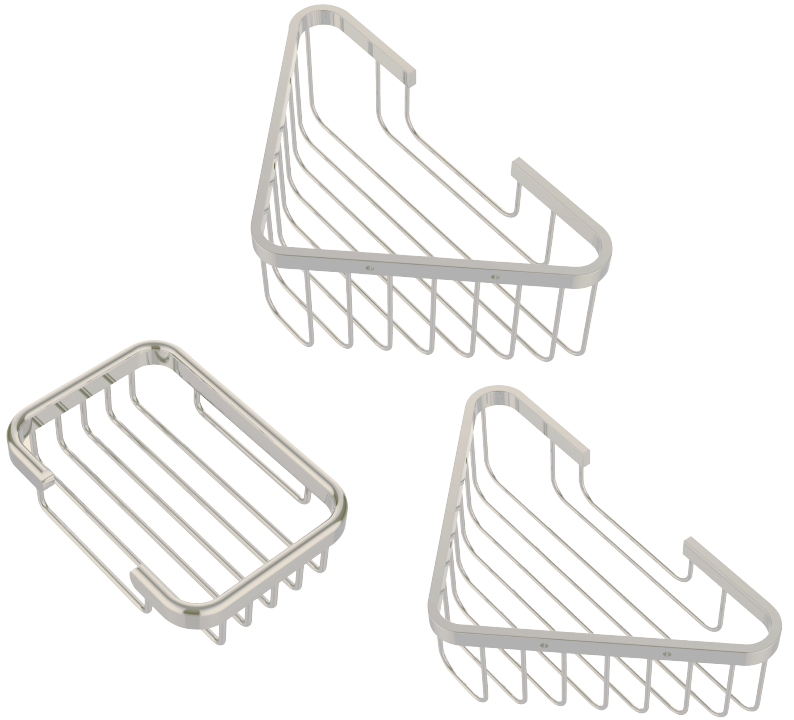
PRODUCT SPECIFICATION SHEET

# WIRE BASKET SERIES

BRUSHED NICKEL (BN)

**MATERIAL:** ZINC  
STAINLESS STEEL 304

**KEY FEATURES:** MODERN DESIGN  
ZINC+STEEL COMPOSITION  
CAST BACKINGS  
WALL MOUNTED



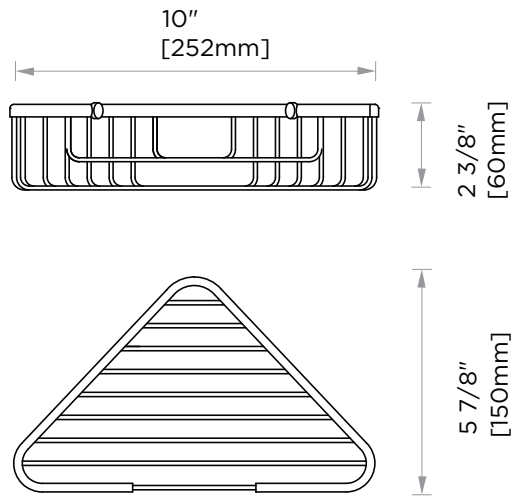
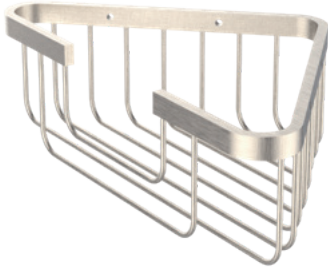
**AVAILABLE FINISHES:**

- POLISHED CHROME (PC)
- BRUSHED NICKEL (BN)
- MATTE BLACK (MB)

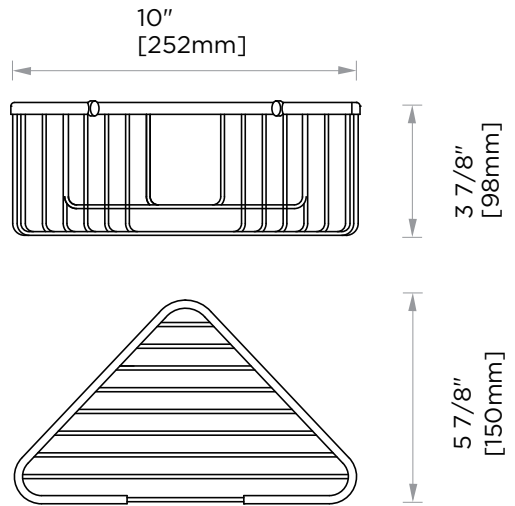
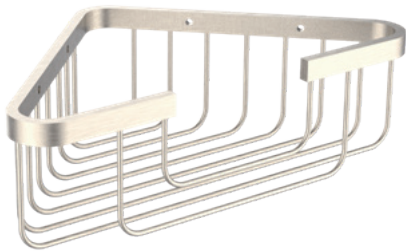
Product Code	Name	Finishes	Sizes (mm)			Sizes (Inches)		
			Length	Width	Height	Length	Width	Height
SYD - WB-1	Wire Basket	PC, BN	252	60	150	10	2 3/8	5 7/8
SYD - WB-2	Wire Basket	PC, BN	252	98	150	10	3 7/8	5 7/8
SYD - WB-3	Wire Basket	PC, BN	132	34	92	5 3/16	1 5/16	3 5/8

NOTE: Dimensions and specifications are subject to change without notice.

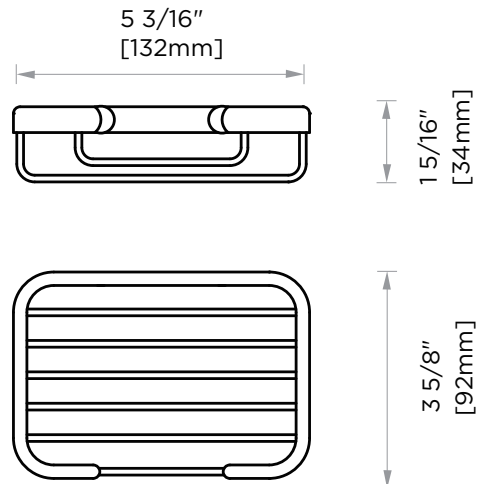
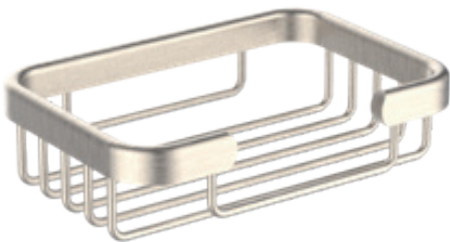
Wire Basket  
SYD-WB-1-BN



Wire Basket  
SYD-WB-2-BN



Wire Basket  
SYD-WB-3-BN



NOTE: Dimensions and specifications are subject to change without notice.