

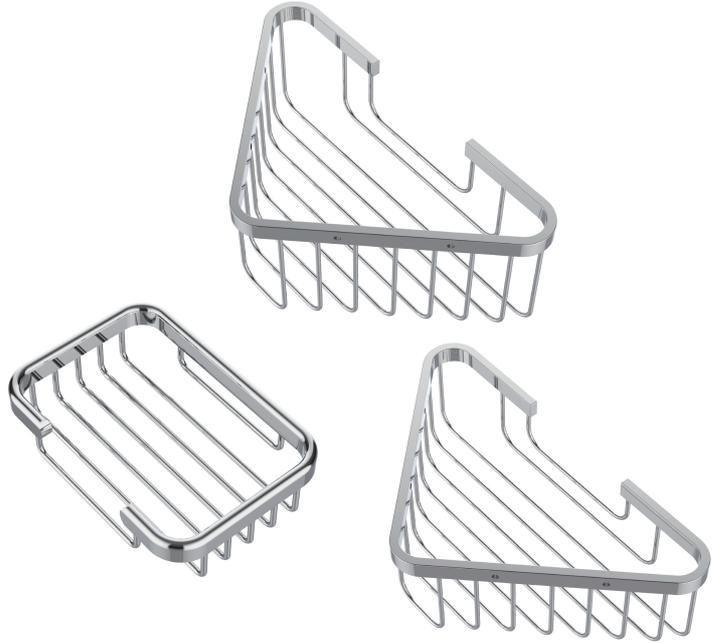
PRODUCT SPECIFICATION SHEET

WIRE BASKET SERIES

POLISHED CHROME (PC)

MATERIAL: ZINC
STAINLESS STEEL 304

KEY FEATURES: MODERN DESIGN
ZINC+STEEL COMPOSITION
CAST BACKINGS
WALL MOUNTED



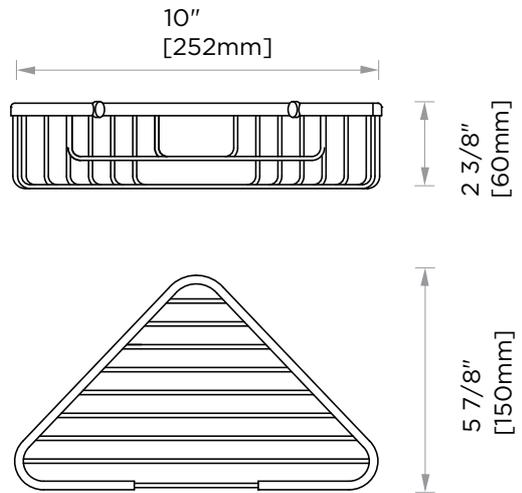
AVAILABLE FINISHES:

- POLISHED CHROME (PC)
- BRUSHED NICKEL (BN)
- MATTE BLACK (MB)

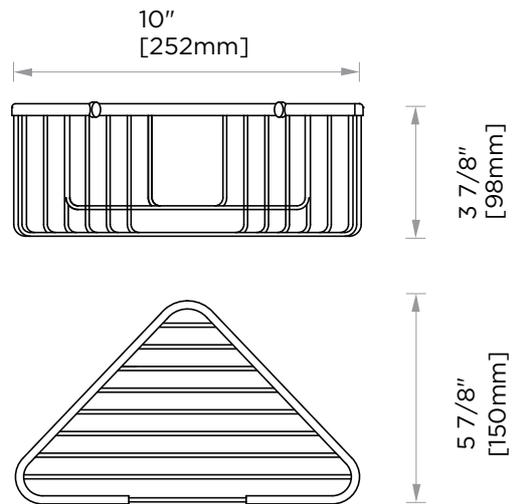
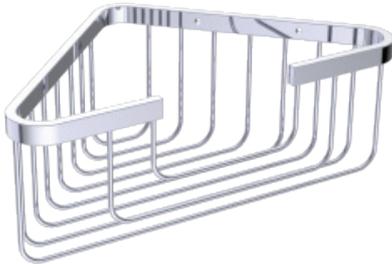
Product Code	Name	Finishes	Sizes (mm)			Sizes (Inches)		
			Length	Width	Height	Length	Width	Height
SYD - WB-1	Wire Basket	PC, BN	252	60	150	10	2 3/8	5 7/8
SYD - WB-2	Wire Basket	PC, BN	252	98	150	10	3 7/8	5 7/8
SYD - WB-3	Wire Basket	PC, BN	132	34	92	5 3/16	1 5/16	3 5/8

NOTE: Dimensions and specifications are subject to change without notice.

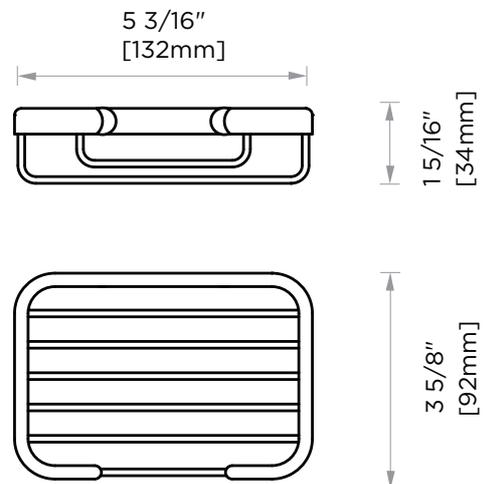
Wire Basket
SYD-WB-1-PC



Wire Basket
SYD-WB-2-PC



Wire Basket
SYD-WB-3-PC



NOTE: Dimensions and specifications are subject to change without notice.