



PRODUCT SPECIFICATION SHEET

SEATTLE SERIES

POLISHED CHROME (PC)

MATERIAL: ZINC
STAINLESS STEEL 304

KEY FEATURES: MODERN DESIGN
ZINC+STEEL COMPOSITION
CAST BACKINGS
WALL MOUNTED

AVAILABLE FINISHES:

- POLISHED CHROME (PC)
- BRUSHED NICKEL (BN)
- MATTE BLACK (MB)



Product Code	Name	Finishes	Sizes (mm) Length Width Height	Sizes (Inches) Length Width Height
SEA-TB12	SEA-11 Towel Bar	PC, BN, MB, BB	357 52 73	14 1/8 2 1/16 2 7/8
SEA-TB18	SEA-18 Towel Bar	PC, BN, MB, BB	509 52 73	20 1/8 2 1/16 2 7/8 26 1/8
SEA-TB24	SEA-24 Towel Bar	PC, BN, MB, BB	662 52 73	2 1/16 2 7/8
SEA-TB30	SEA-30 Towel Bar	PC, BN, MB, BB	814 52 73	32 1/8 2 1/16 2 7/8
SEA-DTB24	SEA-24 Double Towel Bar	PC, BN, MB, BB	662 52 123	26 1/8 2 1/16 4 7/8
SEA-RH-1	SEA-Robe Hook	PC, BN, MB, BB	52 53 73	2 1/16 2 1/16 2 7/8
SEA-RH-2	SEA-Double Robe Hook	PC, BN, MB, BB	73 52 55	2 7/8 2 1/16 2 1/8
SEA-TPEURO	SEA-Tissue Holder	PC, BN, MB, BB	173 52 73	6 7/8 2 1/16 2 7/8
SEA-TRRT	SEA-Towel Ring	PC, BN, MB, BB	190 168 73	7 1/2 6 5/8 2 7/8
SEA-TPDR0P	SEA-Tissue Holder	PC, BN, MB, BB	155 148 73	6 1/8 5 13/16 2 7/8
SEA-TRS0	SEA-Towel Ring	PC, BN, MB, BB	200 168 73	7 7/8 6 5/8 2 7/8
SEA-TRRD	SEA-Towel Ring	PC, BN, MB, BB	173 212 73	6 7/8 8 3/8 2 7/8
SEA-TPPT	SEA-Pivot Tissue Holder	PC, BN, MB, BB	199 80 52	7 7/8 3 1/8 2

NOTE: Dimensions and specifications are subject to change without notice.



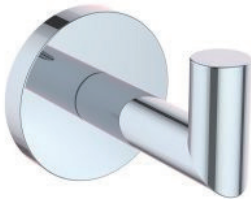
Double Robe Hook
SEA-RH-2-PC



24" Double Towel Bar
SEA-DTB24-PC



Robe Hook
SEA-RH-1-PC



Tissue Holder
SEA-TPEURO-PC



Tissue Holder
SEA-TPDROP-PC



12"/18"/24"/30" Towel Bar
SEA-TB12/18/24/30-PC



Towel Ring
SEA-TRRT-PC



Towel Ring
SEA-TRRD-PC



Towel Ring
SEA-TRSQ-PC



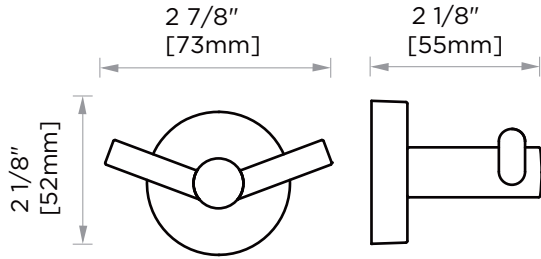
Pivot Tissue Holder
SEA-TPPT-PC



NOTE: Dimensions and specifications are subject to change without notice.

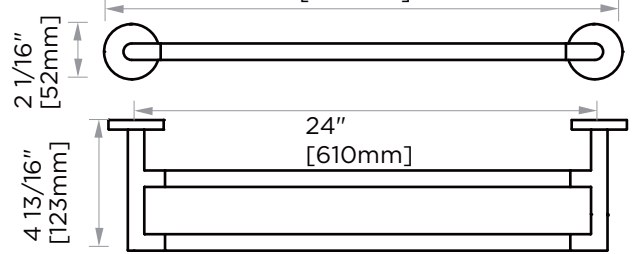


Double Robe Hook
SEA-RH-2

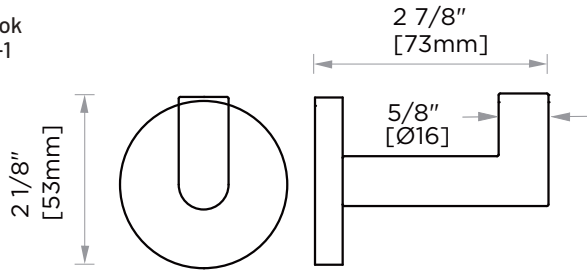


24" Double Towel Bar
SEA-DTB24

26 1/8" [662mm]

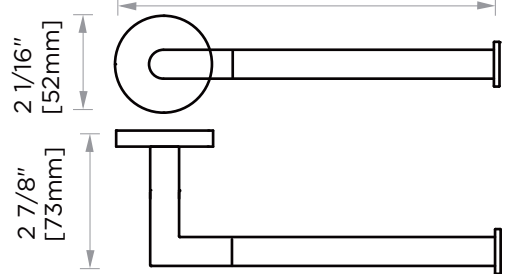


Robe Hook
SEA-RH-1

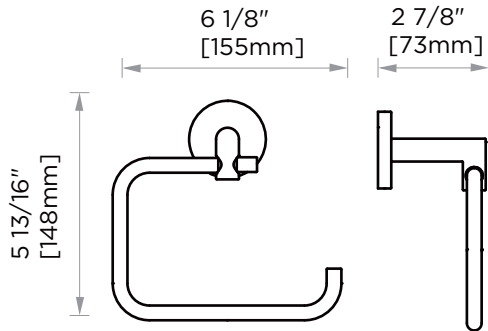


Tissue Holder
SEA-TPEURO

6 7/8" [173mm]

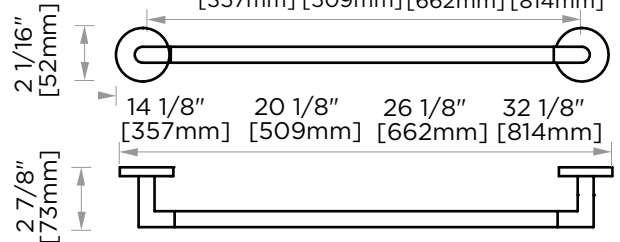


Tissue Holder
SEA-TPDROP

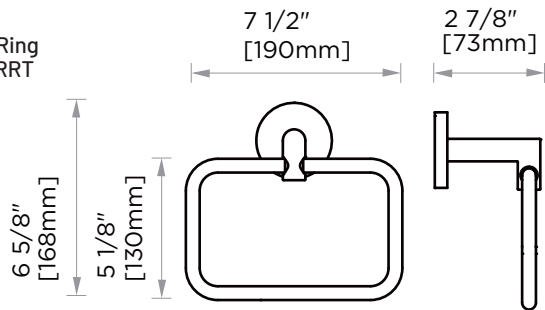


12"/18"/24"/30" Towel Bar
SEA-TB12/18/24/30

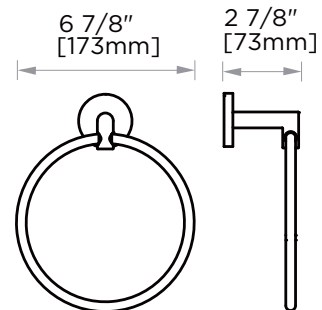
14 1/8" 20 1/8" 26 1/8" 32 1/8"
[357mm] [509mm] [662mm] [814mm]



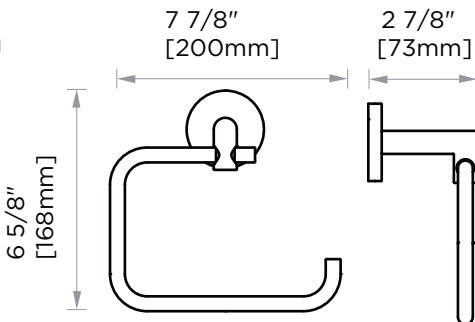
Towel Ring
SEA-TRRT



Towel Ring
SEA-TRRD

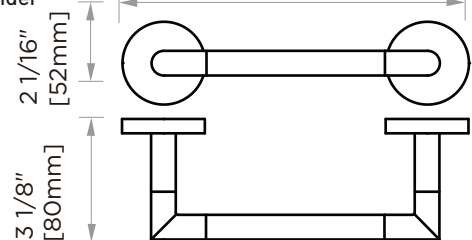


Towel Ring
SEA-TRSQ



Pivot Tissue Holder
SEA-TPPT

7 7/8" [199mm]



NOTE: Dimensions and specifications are subject to change without notice.