



### PRODUCT SPECIFICATION SHEET

# TUCSON SERIES

## OIL RUBBED BRONZE (ORB)

**MATERIAL:** ZINC  
STAINLESS STEEL 304

**KEY FEATURES:** MODERN DESIGN  
ZINC+STEEL COMPOSITION  
CAST BACKINGS  
WALL MOUNTED

**AVAILABLE FINISHES:**

- POLISHED CHROME (PC)
- POLISHED NICKEL (PN)
- OIL RUBBED BRONZE (ORB)



Product Code	Name	Finishes	Sizes (mm)			Sizes (Inche)		
			Length	Width	Height	Length	Width	Height
TUS-TB12	TUS-12 Towel Bar	PC, PN, ORB	374	68	94	14 11/16	2 11/16	3 11/16
TUS-TB18	TUS-18 Towel Bar	PC, PN, ORB	526	68	94	20 11/16	2 11/16	3 11/16
TUS-TB24	TUS-24 Towel Bar	PC, PN, ORB	679	68	94	26 11/16	2 11/16	3 11/16
TUS-TB30	TUS-30 Towel Bar	PC, PN, ORB	831	68	94	32 11/16	2 11/16	3 11/16
TUS-RH-1	TUS-Robe Hook	PC, PN, ORB	69	68	60	2 11/16	2 11/16	2 3/8
TUS-DBLPOST	TUS-Tissue Holder	PC, PN, ORB	227	68	94	9	2 11/16	3 11/16
TUS-TPDROP	TUS-Tissue Holder	PC, PN, ORB	165	111	79	6 1/2	4 3/8	3 1/16
TUS-TRRD	TUS-Towel Ring	PC, PN, ORB	160	189	86	6 7/8	8	3 3/8

NOTE: Dimensions and specifications are subject to change without notice.



12"/18"/24"/30" Towel Bar  
TUS-TB12/TB18/TB24/TB30-ORB



Robe Hook  
TUS-RH-1-ORB



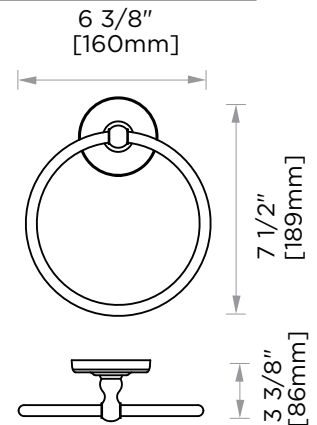
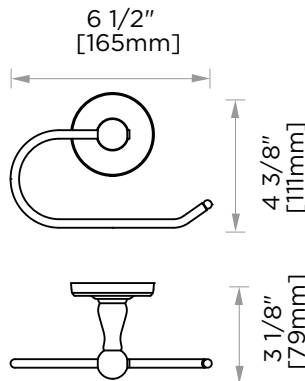
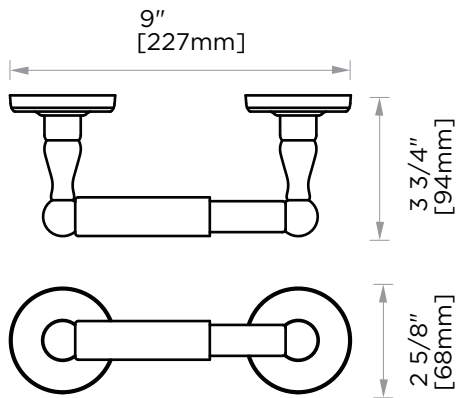
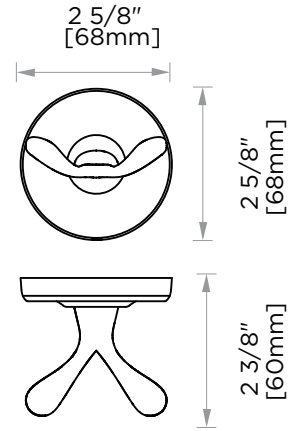
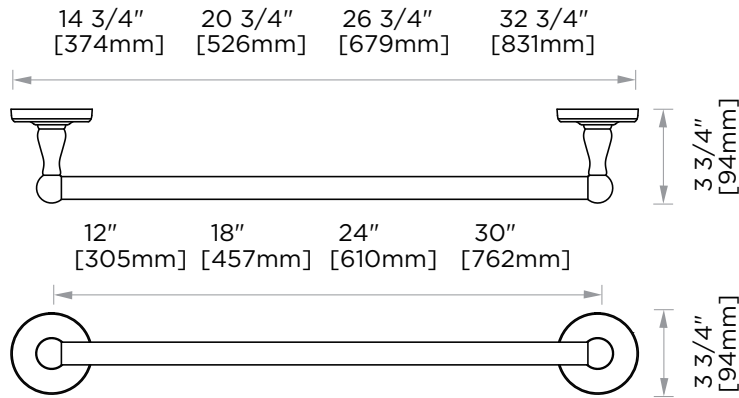
Tissue Holder  
TUS-DBLPOST-ORB



Tissue Holder  
TUS-TPDROP-ORB



Towel Ring  
TUS-TRRD-ORB



NOTE: Dimensions and specifications are subject to change without notice.