



PRODUCT SPECIFICATION SHEET

TUCSON SERIES

POLISHED NICKEL (PN)

MATERIAL: ZINC
STAINLESS STEEL 304

KEY FEATURES: MODERN DESIGN
ZINC+STEEL COMPOSITION
CAST BACKINGS
WALL MOUNTED

AVAILABLE FINISHES:

- POLISHED CHROME (PC)
- POLISHED NICKEL (PN)
- OIL RUBBED BRONZE (ORB)



Product Code	Name	Finishes	Sizes (mm)			Sizes (Inche)		
			Length	Width	Height	Length	Width	Height
TUS-TB12	TUS-12 Towel Bar	PC, PN, ORB	374	68	94	14 11/16	2 11/16	3 11/16
TUS-TB18	TUS-18 Towel Bar	PC, PN, ORB	526	68	94	20 11/16	2 11/16	3 11/16
TUS-TB24	TUS-24 Towel Bar	PC, PN, ORB	679	68	94	26 11/16	2 11/16	3 11/16
TUS-TB30	TUS-30 Towel Bar	PC, PN, ORB	831	68	94	32 11/16	2 11/16	3 11/16
TUS-RH-1	TUS-Robe Hook	PC, PN, ORB	69	68	60	2 11/16	2 11/16	2 3/8
TUS-DBLPOST	TUS-Tissue Holder	PC, PN, ORB	227	68	94	9	2 11/16	3 11/16
TUS-TPDROP	TUS-Tissue Holder	PC, PN, ORB	165	111	79	6 1/2	4 3/8	3 1/16
TUS-TRRD	TUS-Towel Ring	PC, PN, ORB	160	189	86	6 7/8	8	3 3/8

NOTE: Dimensions and specifications are subject to change without notice.



12"/18"/24"/30" Towel Bar
TUS-TB12/TB18/TB24/TB30-PN



Robe Hook
TUS-RH-1-PN



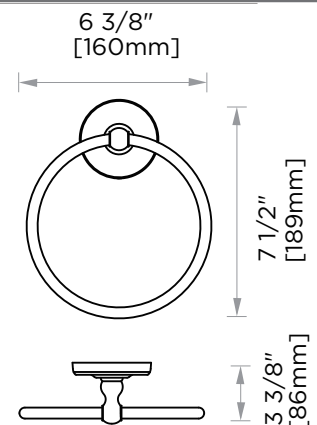
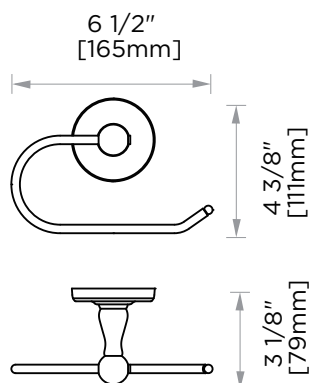
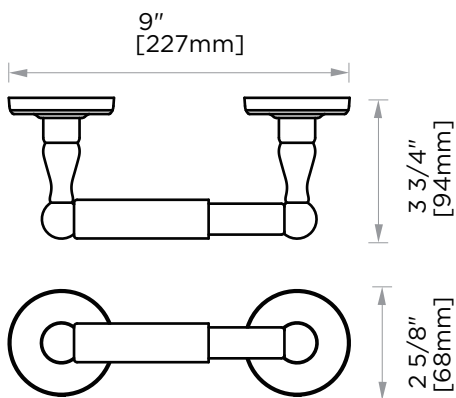
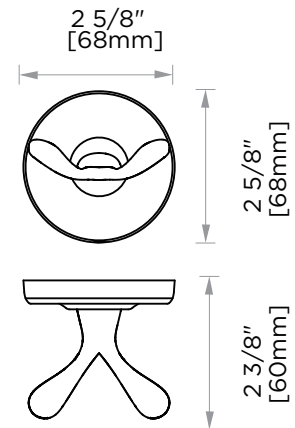
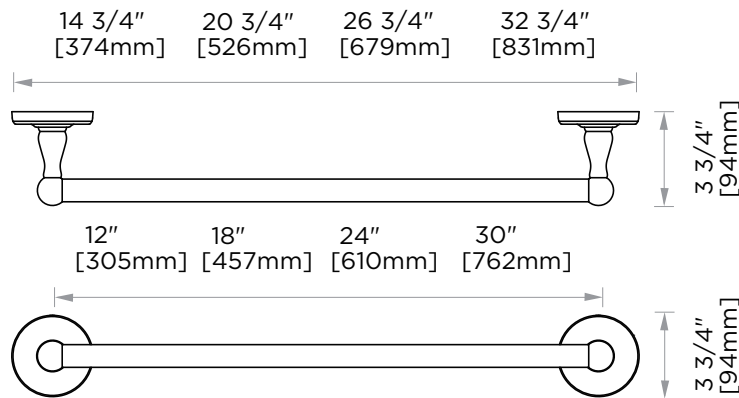
Tissue Holder
TUS-DBLPOST-PN



Tissue Holder
TUS-TPDROP-PN



Towel Ring
TUS-TRRD-PN



NOTE: Dimensions and specifications are subject to change without notice.