

Wire Basket Modern Cast Zinc+Steel
Design Backings Composition

www.sydneybathaccessories.com

Sydney installation instructions

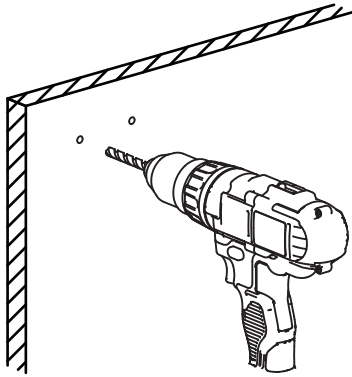


Figure 1.
Mark (on the wall) locations of plugs using a pencil, drill 3/16" holes, make sure to keep drill level.

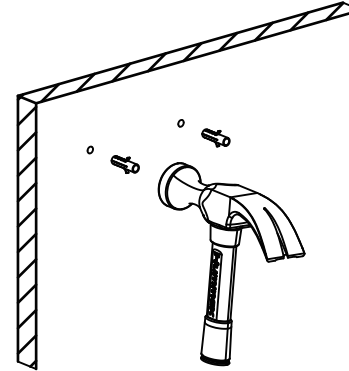


Figure 2.
Insert plugs into drilled holes, using a hammer to tap the plugs in, be careful not to break tile.

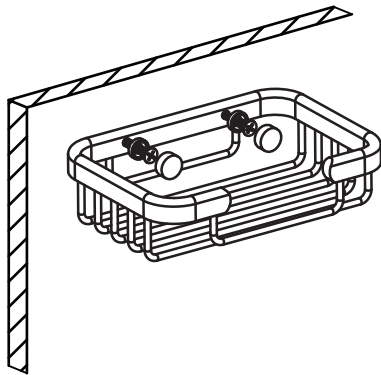


Figure 3.
Fix the basket onto the wall through the screw sleeves, and tighten it.

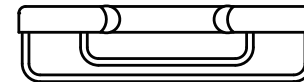


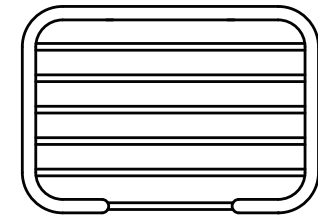
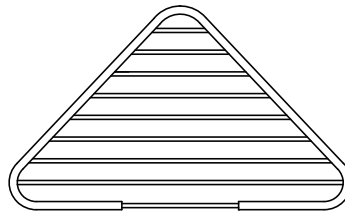
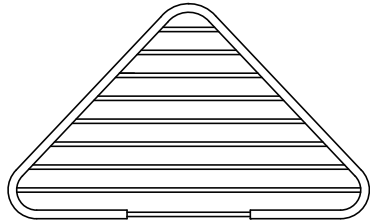
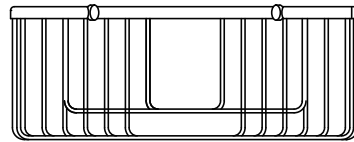
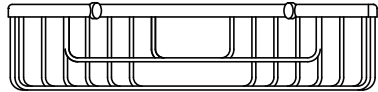
Figure 4.
Put the end caps onto the screw sleeves.

Wire Basket Modern Cast Zinc+Steel
Design Backings Composition



www.sydneybathaccessories.com

Sydney installation instructions



SYD-WB-1

SYD-WB-2

SYD-WB-3