



PRODUCT SPECIFICATION SHEET

LAS VEGAS SERIES

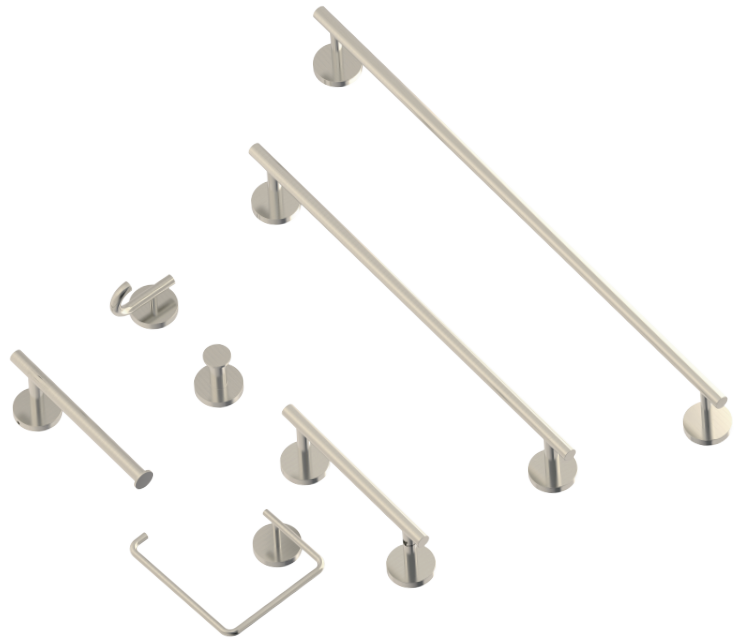
BRUSHED NICKEL (BN)

MATERIAL: ZINC
STAINLESS STEEL 304

KEY FEATURES: MODERN DESIGN
ZINC+STEEL COMPOSITION
CAST BACKINGS
WALL MOUNTED

AVAILABLE FINISHES:

- POLISHED CHROME (PC)
- BRUSHED NICKEL (BN)
- MATTE BLACK (MB)



Product Code	Name	Finishes	Sizes (mm)			Sizes (Inche)		
			Length	Width	Height	Length	Width	Height
LAS-JH-1	LAS-Robe Hook	PC, BN, MB	52	81	74	2	3 1/4	2 7/8
LAS-TPEURO	LAS-Tissue Holder	PC, BN, MB	175	52	84	6 3/4	2	3 3/8
LAS-TPPT	LAS-Pivot Paper Holder	PC, BN, MB	227	52	80	8 7/8	2	3 1/8
LAS-TRSQ	LAS-Towel Ring	PC, BN, MB	165	164	50	6 1/2	6 1/2	2
LAS-TB18	LAS-Towel bar 18"	PC, BN, MB	509	52	71	18	2	3 1/8
LAS-TB24	LAS-Towel bar 24"	PC, BN, MB	662	52	71	24	2	3 1/8

NOTE: Dimensions and specifications are subject to change without notice.



Robe Hook
LAS-JH-1-BN



Paper Holder
LAS-TPEURO-BN



Pivot Paper Holder
LAS-TPPT-BN



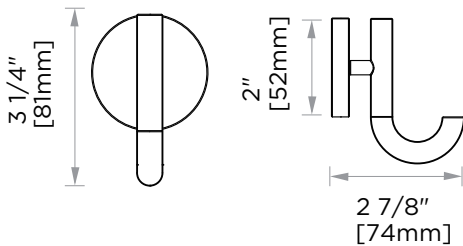
Towel Ring
LAS-TRSQ-BN



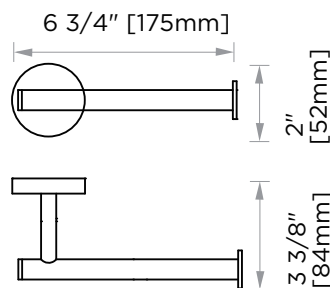
Towel Bar 18"/24"
LAS-TB18/TB24-BN



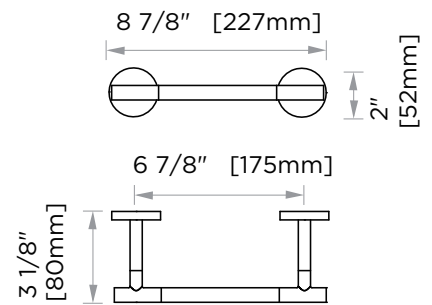
Robe Hook
LAS-JH-1



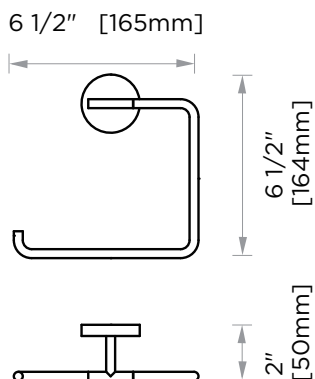
Paper Holder
LAS-TPEURO



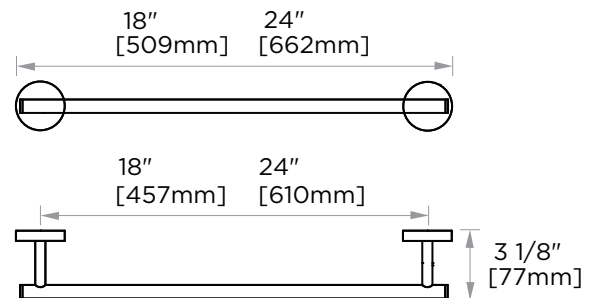
Pivot Paper Holder
LAS-TPPT



Towel Ring
LAS-TRSQ



Towel Bar 18"/24"
LAS-TB18/TB24



NOTE: Dimensions and specifications are subject to change without notice.