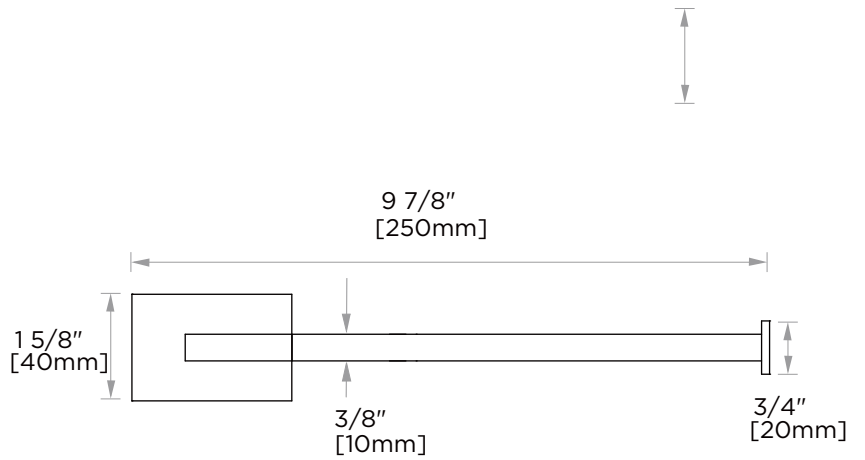
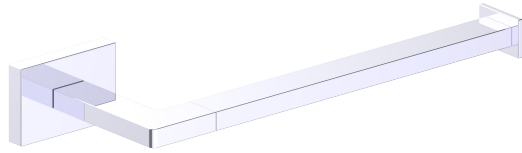




PRODUCT SPECIFICATION SHEET

HOUSTON TOWEL RING

HOU-TR

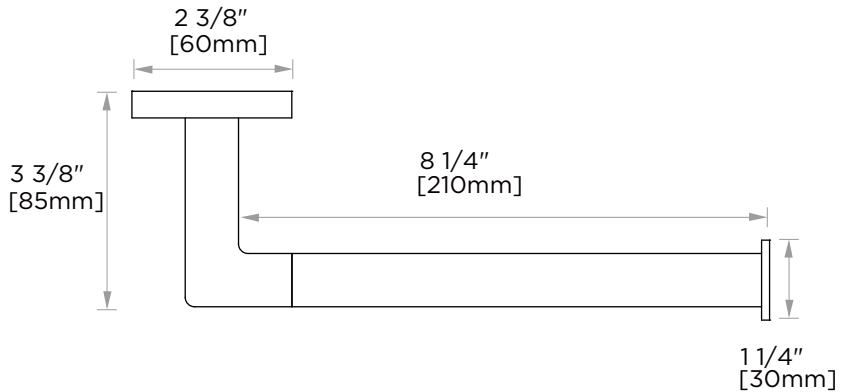


PRODUCT NAME: HOUSTON TOWEL RING

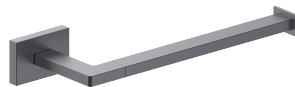
PRODUCT CODE: HOU-TR

MATERIAL: ZINC
STAINLESS STEEL 30

KEY FEATURES: MODERN DESIGN
ZINC+STEEL COMPOSITION
CAST BACKINGS
WALL MOUNTED



**AVAILABLE
FINISHES:**



- POLISHED CHROME (PC)
- MATTE BLACK (MB)

NOTE: Dimensions and specifications are subject to change without notice.