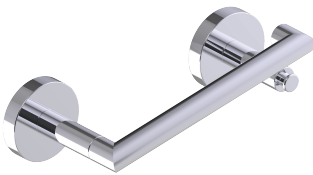
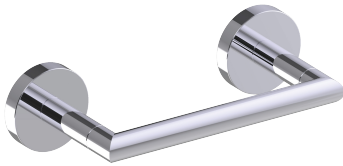




PRODUCT SPECIFICATION SHEET

**SEATTLE PIVOT TISSUE
HOLDER**

SEA-TPPT



PRODUCT NAME: SEATTLE PIVOT TISSUE
HOLDER

PRODUCT CODE: SEA-TPPT

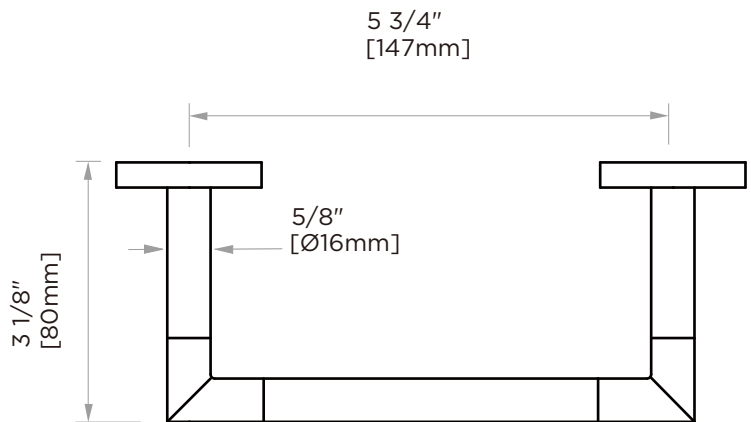
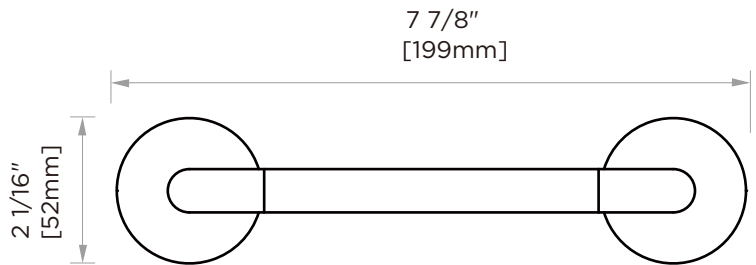
MATERIAL: ZINC
STAINLESS STEEL 304

KEY FEATURES: MODERN DESIGN
ZINC+STEEL COMPOSITION
CAST BACKINGS
WALL MOUNTED

**AVAILABLE
FINISHES:**



- POLISHED CHROME (PC)
- BRUSHED NICKEL (BN)
- MATTE BLACK (MB)
- BRUSHED BRONZE (BB)



NOTE: Dimensions and specifications are subject to change without notice.