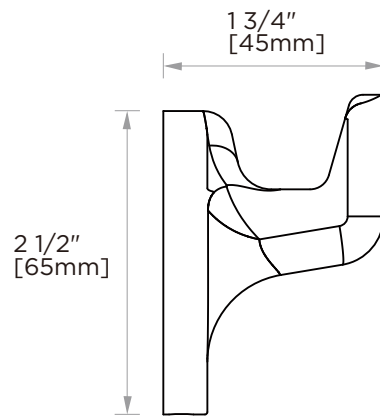
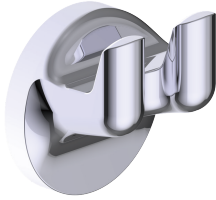




PRODUCT SPECIFICATION SHEET

# MADISON DOUBLE ROBE HOOK

MSN-RH-2A



**PRODUCT NAME:** MADISON DOUBLE  
ROBE HOOK

**PRODUCT CODE:** MSN-RH-2A

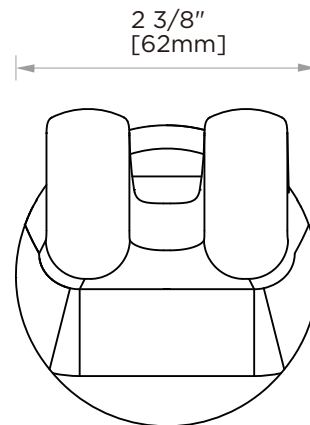
**MATERIAL:** ZINC  
STAINLESS STEEL 304

**KEY FEATURES:** MODERN DESIGN  
ZINC+STEEL COMPOSITION  
CAST BACKINGS  
WALL MOUNTED

**AVAILABLE  
FINISHES:**



POLISHED CHROME (PC)



NOTE: Dimensions and specifications are subject to change without notice.