



### PRODUCT SPECIFICATION SHEET

# TAMPA SERIES

## MATTE BLACK (MB)

**MATERIAL:** ZINC  
STAINLESS STEEL 304

**KEY FEATURES:** MODERN DESIGN  
ZINC+STEEL COMPOSITION  
CAST BACKINGS  
WALL MOUNTED

**AVAILABLE FINISHES:**  POLISHED CHROME (PC)  
 MATTE BLACK (MB)



Product Code	Name	Finishes	Sizes (mm)			Sizes (Inche)		
			Length	Width	Height	Length	Width	Height
TPA-TB12	TPA-12 Towel Bar	PC,MB	359	77	54	14	3	2
TPA-TB18	TPA-18 Towel Bar	PC,MB	511	77	54	20	3	2
TPA-TB24	TPA-24 Towel Bar	PC,MB	664	77	54	26	3	2
TPA-TB30	TPA-30 Towel Bar	PC,MB	816	77	54	32	3	2
TPA-RH	TPA-Robe Hook	PC,MB	54	58	65	2	2 1/4	2 1/2
TPA-TPEURO	TPA-Tissue Holder	PC,MB	161	77	54	6 3/8	3	2
TPA-TRRD	TPA-Towel Ring	PC,MB	194	213	65	7 5/8	8 3/8	2 1/2

NOTE: Dimensions and specifications are subject to change without notice.



Robe Hook  
TPA-RH-1-MB



Tissue Holder  
TPA-TPEURO-MB



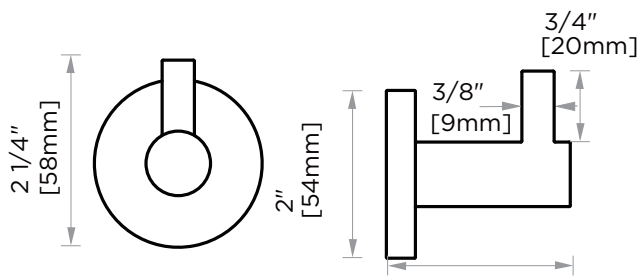
Towel Ring  
TPA-TRRT-MB



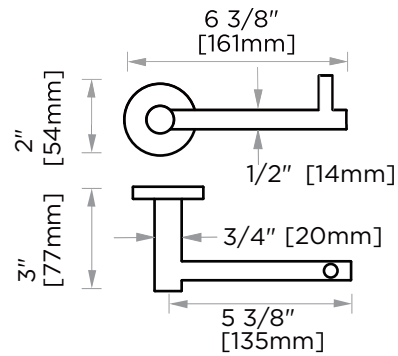
12"/18"/24"/30" Towel Bar  
TPA-TB12/TB18/TB24/TB30-MB



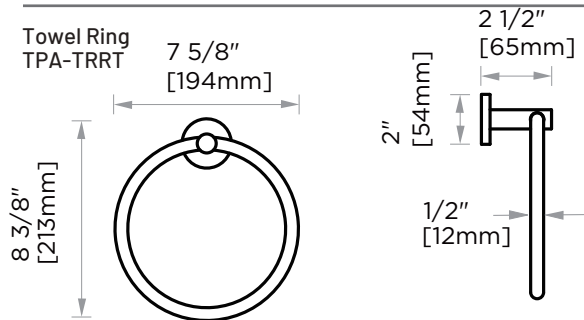
Robe Hook  
TPA-RH-1



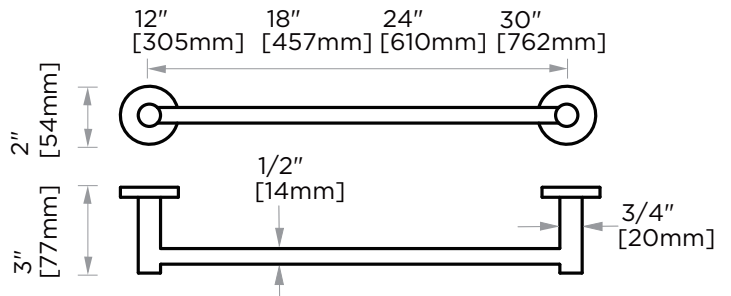
Tissue Holder  
TPA-TPEURO



Towel Ring  
TPA-TRRT



12"/18"/24"/30" Towel Bar  
TPA-TB12/TB18/TB24/TB30



NOTE: Dimensions and specifications are subject to change without notice.