



PRODUCT SPECIFICATION SHEET

TAMPA TOWEL RING

TPA-TRRT

PRODUCT NAME: TAMPA TOWEL RING

PRODUCT CODE: TPA-TRRT

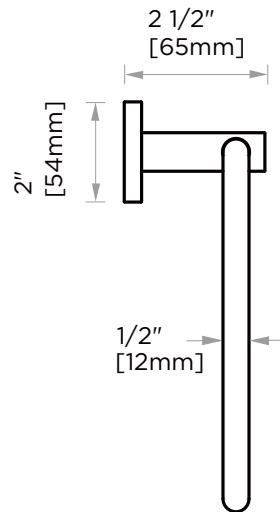
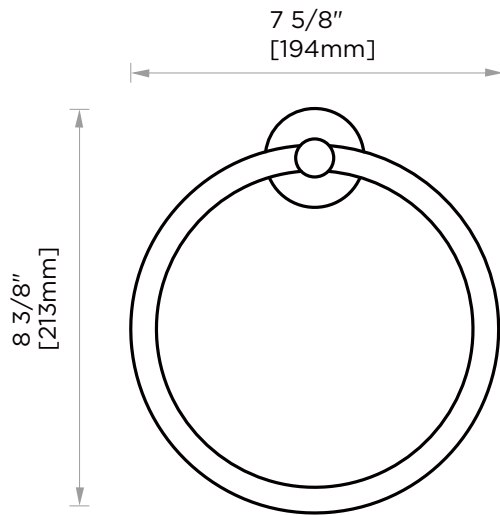
MATERIAL: ZINC
STAINLESS STEEL 304

KEY FEATURES: MODERN DESIGN
ZINC+STEEL COMPOSITION
CAST BACKINGS
WALL MOUNTED

**AVAILABLE
FINISHES:**



- POLISHED CHROME (PC)
- MATTE BLACK (MB)



NOTE: Dimensions and specifications are subject to change without notice.